

## HUNZA PURE LED FLOOR LITE, PATH LITE, STEP LITE, DARK LIGHTER LUMINAIRES (with canister)

PLEASE RETAIN THE SWING TAG ATTACHED TO THE FIXTURE FOR FUTURE REFERENCE.

### INSTALLATION INSTRUCTIONS

**NOTE: THESE INSTRUCTIONS MUST NOT CONTRAVENE YOUR LOCAL ELECTRICAL AUTHORITY REGULATIONS, WITH WHICH ALL INSTALLATIONS HERE IN MUST COMPLY. PLEASE KEEP INSTRUCTIONS FOR FUTURE REFERENCE.**

Remove the luminaire from the gold coloured canister. Place canister in the desired position. Make sure that the top of the canister is at the finished floor height. Fit conduit to the canister making sure all joints are water tight and pre wire with low voltage cable. Make sure the top of the canister is sealed while the concrete is being poured. Make a waterproof connection using heavy walled adhesive lined heat shrink, to the low voltage cable and slide luminaire into canister.

#### Recommendation:

Run all low voltage cables in flexible conduit for extra protection. Use Hunza Cable Joint Kit CJK#150.

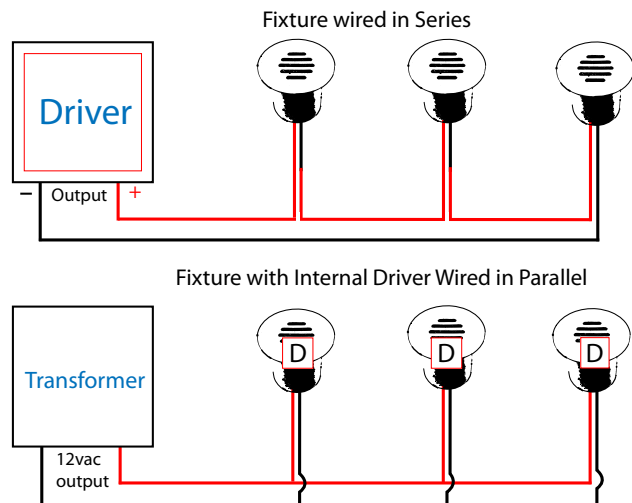
Note: This luminaire is NOT suitable for driving over.

### PATH LITE or STEP LITE WITH CANISTER IP68

Fix canister into the desired position. Make sure that the top of the canister is at the finished floor height or step lite canister is flush with the finished wall line. Fit conduit to the canister making sure all joints are water tight and pre wire with low voltage cable. Make sure the top of the canister is sealed while the concrete is being poured. Make a waterproof connection using heavy walled adhesive lined heat shrink, to the low voltage cable and slide luminaire into canister.

**Note :** If not using a HUNZA™ driver - you must select a suitable constant-current driver. Decide what output is required in mA (350, 700, 1000), the LED requires a forward voltage of 6 vdc.

**Warning:** Do not disconnect the LED luminaire from the output side of the the driver when connected to the mains. Switch off mains FIRST then disconnect luminaire from the output side of the driver.



## HUNZA PURE LED STEP LITE, STEP LITE EYELID, PATH LITE, DARK LIGHTER LUMINAIRES (no canister)

PLEASE RETAIN THE SWING TAG ATTACHED TO THE FIXTURE FOR FUTURE REFERENCE.

### INSTALLATION INSTRUCTIONS

**NOTE: THESE INSTRUCTIONS MUST NOT CONTRAVENE YOUR LOCAL ELECTRICAL AUTHORITY REGULATIONS, WITH WHICH ALL INSTALLATIONS HERE IN MUST COMPLY. PLEASE KEEP INSTRUCTIONS FOR FUTURE REFERENCE.**

Drill a 65mm diameter hole (deep enough to house sufficient cable to facilitate lamp changing) and two mounting holes at 75mm centres. Run the low voltage cable from the transformer (if the driver is to be buried - installation of the driver must be carried out by a licenced electrician to meet local Electrical Authority Regulations) to the Step Lite. Make a water proof connection using heavy walled adhesive lined heat shrink. Coil up a small amount of cable behind the fitting to allow it to be removed for lamp changing and screw into position using rawplugs and screws provided.

#### Recommendation:

Run all low voltage cables in flexible conduit for extra protection. Use Hunza Cable Joint Kit CJK#150.

Stainless Steel Maintenance: To maintain the finish of 316 stainless steel it is recommended to wash the luminaire with fresh water from time to time to stop salt and corrosive elements building up. If tea staining appears, a commercially available stainless steel cleaner is recommended to remove this. Electro polishing is recommended in this situation but the fitting will still require regular maintenance. Even an electro polished stainless steel fixture under an eave or roof will suffer from the build up of salt deposits as it will not be washed away by rain.

### LED CHANGING

**CAUTION:** Make sure that the power to the luminaire is switched off before attempting to change the LED.

#### LED Changing Sequence

When replacing gasket and lens, make sure there is no dirt or grit on the gasket. Dirt or grit on the gasket may cause luminaire to leak.

#### Gasket and lens sequence

Place lens on top of lamp and put orange gasket on top of lens. Screw on flange. It is recommended that high quality lamps are used when replacing lamps. Do not over tighten flange as this will make removal difficult and may cause lamp to break.

#### Recommendation:

Run all low voltage cables in flexible conduit for extra protection. Use Hunza Cable Joint Kit CJK#150.

**Note:** Path Lite is not suitable for driving over.

**CAUTION:** Make sure that the power to the luminaire is switched off before attempting to change the LED.

#### **WARNING! WARRANTY VOIDED!**

If the mounting surface is to be "acid washed" the fixtures must be removed prior to the process to avoid damage to the fixture and its fittings.

Do not water blast/jet wash this fixture under any circumstances!