

TILTING EAVE INSTALLATION INSTRUCTIONS USA

NOTE: THESE INSTRUCTIONS MUST NOT CONTRAVENE YOUR LOCAL ELECTRICAL AUTHORITY REGULATIONS, WITH WHICH ALL INSTRUCTIONS HERE IN MUST COMPLY. PLEASE KEEP INSTRUCTIONS FOR FUTURE REFERENCE.

Fixture to wired in series:

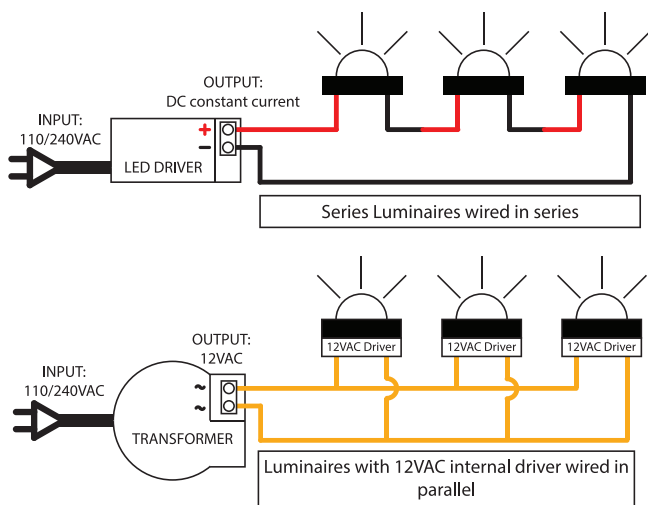
3W Fixtures require 3Vf @1050mA constant current Max.
6W Fixtures require 6Vf @1050mA constant current Max.

For 3W cut a neat 52mm hole with hole saw
For 6W cut a neat 74mm hole with hole saw

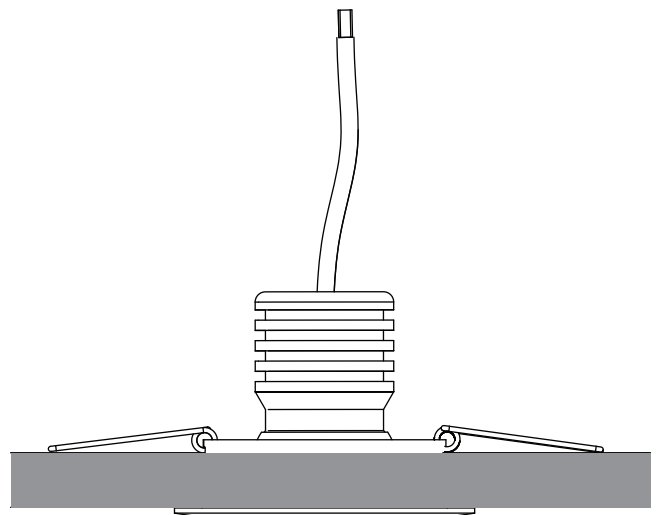
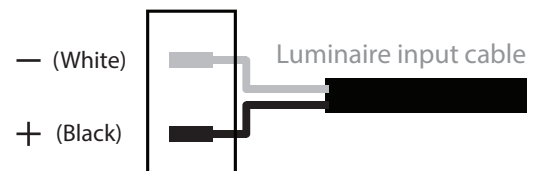
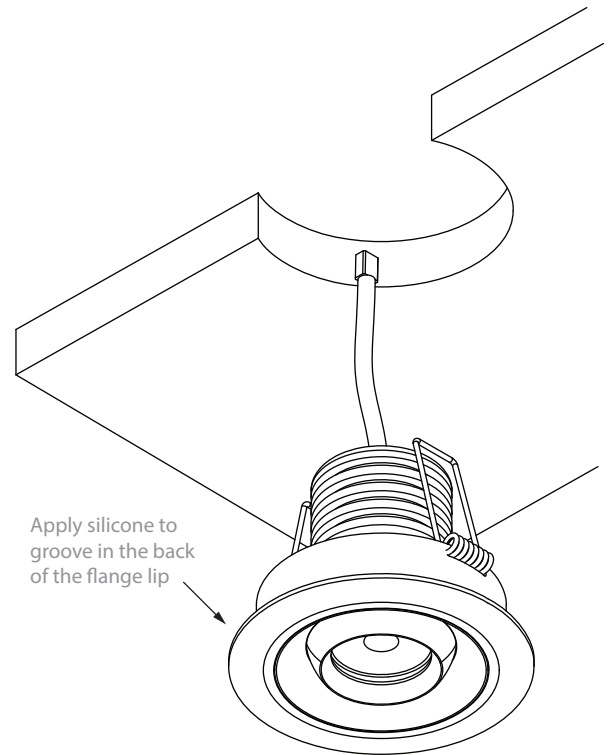
RISK OF FIRE - Required clearance from structural members and building elements

SCB= 20mm HCB= 20mm

Draw power supply cable down through the cut hole and make a good electrical connection with the fixture input cables. See diagram for correct wiring. Be sure to leave extra length to allow the fixture to be removed from the ceiling without disconnection for servicing.



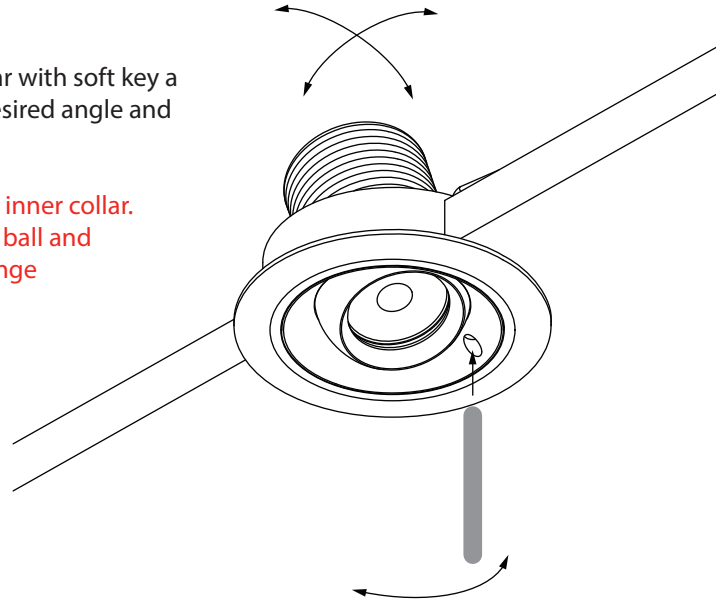
Once electrical connections have been made fold back the springs and insert through cut hole into the ceiling cavity. The springs should snap into place and hold the fixture securely to the surface.



ADJUSTING TILT:

Set tilt by unscrewing inner collar with soft key a quarter of a turn. Move ball to desired angle and retighten collar.

IMPORTANT: Do not over tighten inner collar. Tighten only until it engages the ball and becomes flush with the outer flange



REPLACING LED BOARD:

To replace LED undo inner collar with soft key. Bring the ball and Heatsink down through the outer flange. Unscrew ball from Heatsink. This will allow access to the replaceable LED board. Replace board by undoing the 2 M2 cap screws and unplug.

To reassemble reverse these steps. Be sure TIR lens is centred in the ball when tightening.

IMPORTANT: Do not over tighten inner collar. Tighten only until it engages the ball and becomes flush with the outer flange

