

ULTRA 35 Spot USA Installation instructions

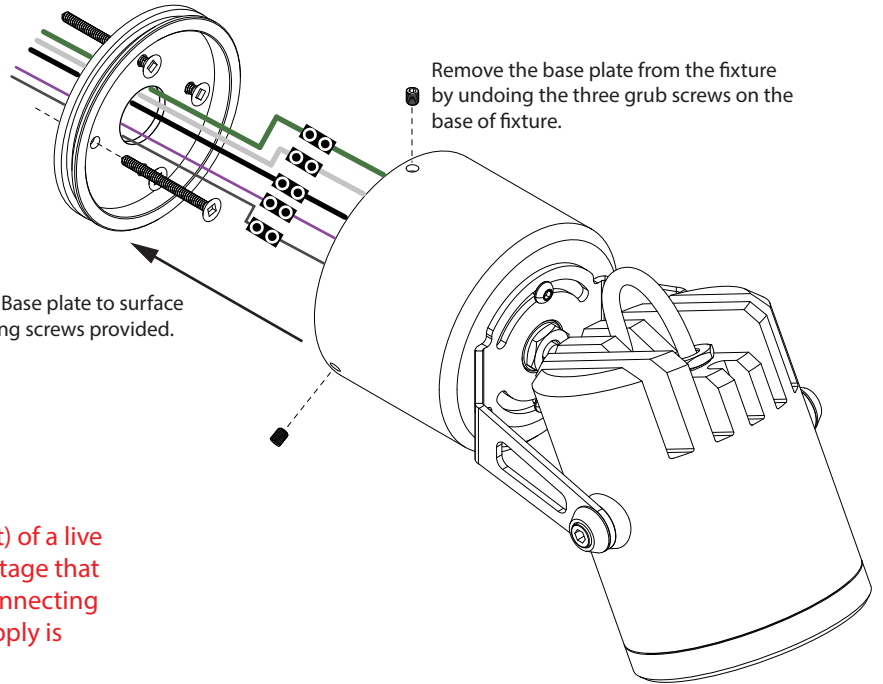
Follow Diagram opposite to correctly fix the Base Plate to the desired surface. Fixing screws are provided however some mediums may require different fixing hardware. If so please ensure the fixing hardware is adequate to take the weight of the fixture.

After Base Plate has been fixed in place make the input connections. All connections should be water tight to stop water ingress into the fixture via power cables. See diagrams below

Warning: Do not connect secondary side (output) of a live driver to the Fixture. This will cause a spike in voltage that can damage the LED. When connecting or disconnecting the fitting always insure the 120/240V power supply is disconnected.

When using a photocell and/or timer we recommend using devices with relay outputs as opposed to electronic. The high frequency of Electronic devices can lead to failure of the LED driver.

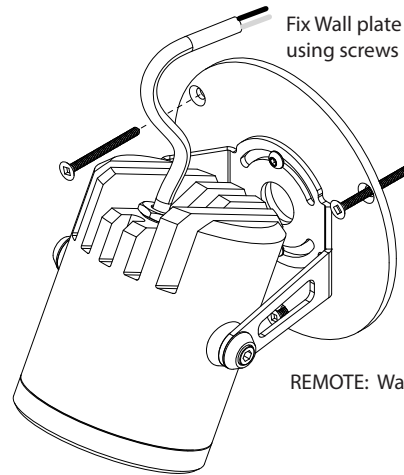
Apply Silicone to groove on the underside of the Base Plate before installation to insure water tight seal once Base Plate is fixed into place



Fix Base plate to surface using screws provided.

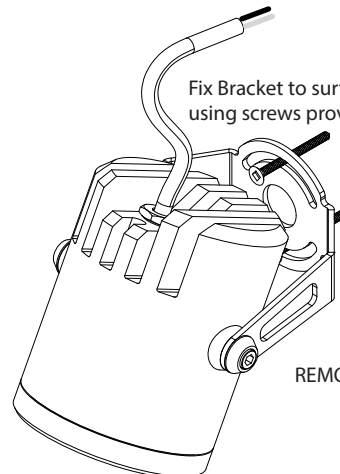
Remove the base plate from the fixture by undoing the three grub screws on the base of fixture.

Fix Wall plate to surface using screws provided.

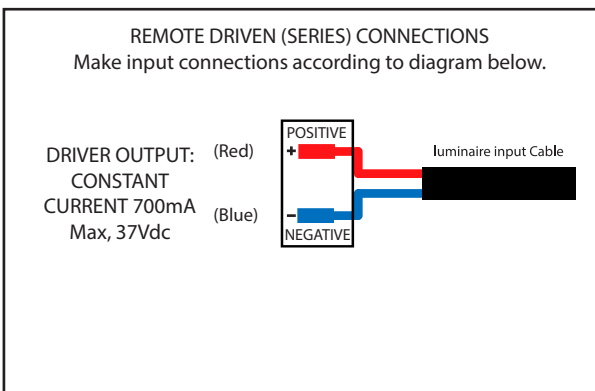
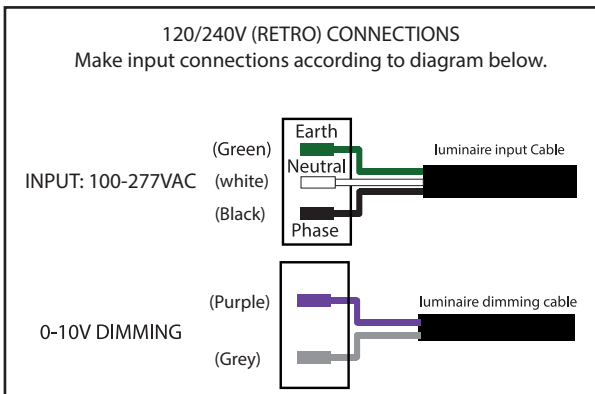


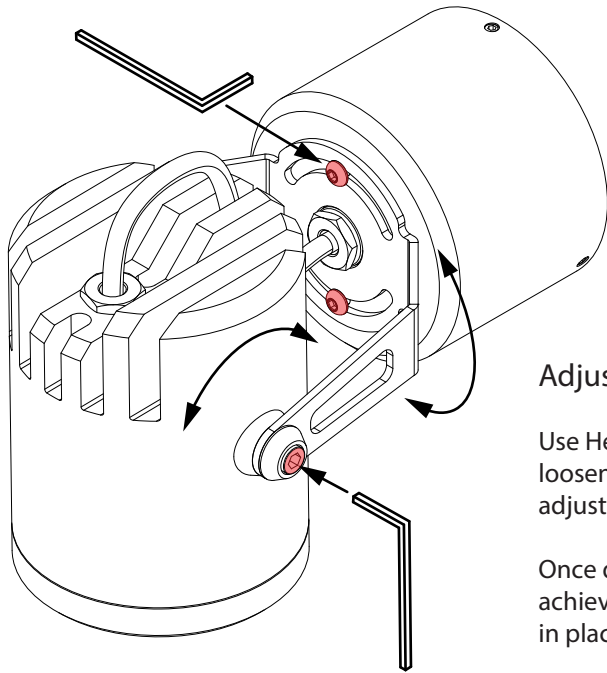
REMOTE: Wall Plate

Fix Bracket to surface using screws provided.



REMOTE: Bracket only

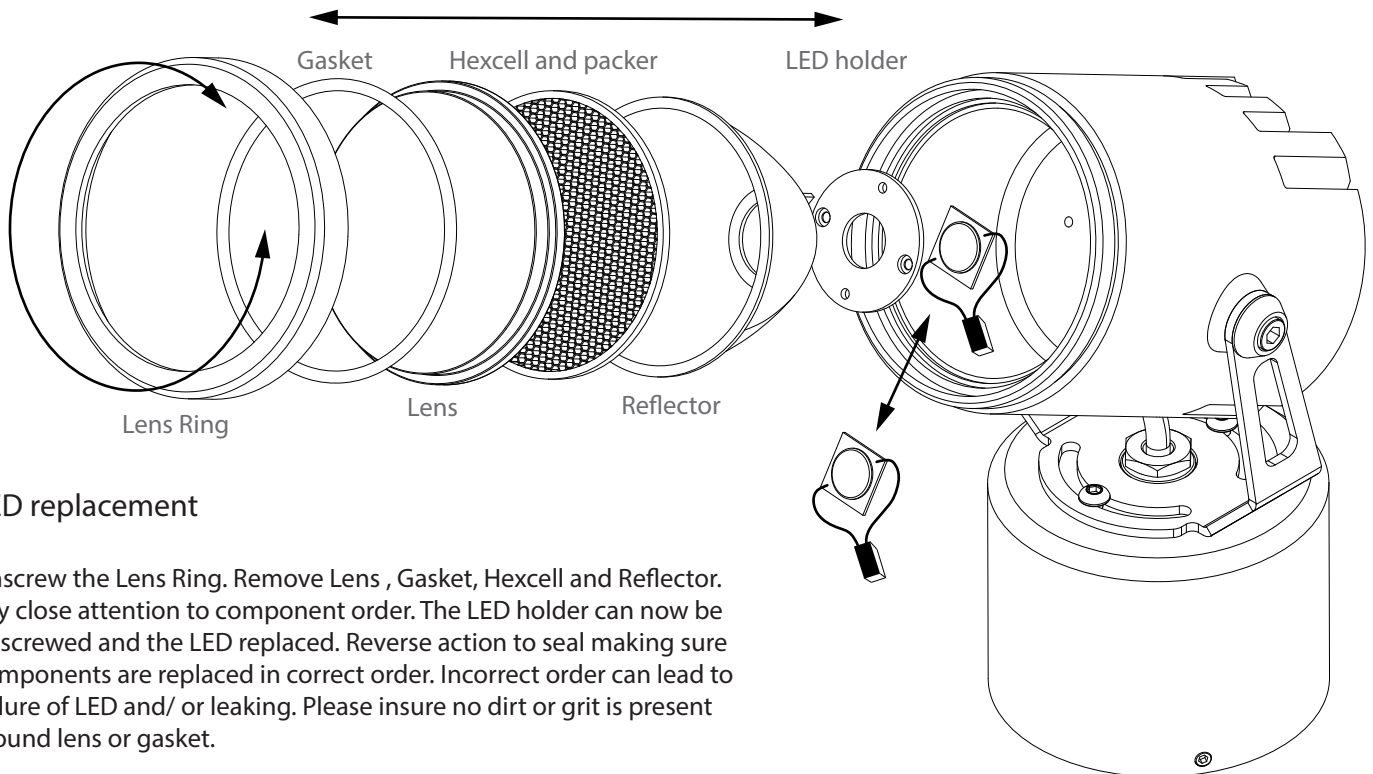
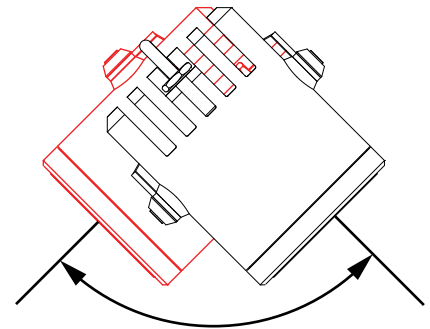
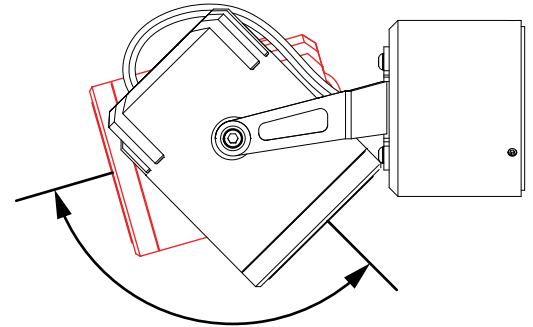




Adjusting Head position.

Use Hex (allen) key provided to loosen indicated screws to adjust rotation and head angle.

Once desired positioning is achieved tighten screws to lock in place



LED replacement

Unscrew the Lens Ring. Remove Lens , Gasket, Hexcell and Reflector. Pay close attention to component order. The LED holder can now be unscrewed and the LED replaced. Reverse action to seal making sure components are replaced in correct order. Incorrect order can lead to failure of LED and/ or leaking. Please insure no dirt or grit is present around lens or gasket.

Do not water blast/jet wash this fixture under any circumstance