

HUNZA PURE LED SINGLE & TWIN POLE LITE, POLE SPOT, TIER LITE, TWIG LITE, WALK WAY LITE, BORDER LITE & BORDER LITE TWIN LUMINAIRE

PLEASE RETAIN THE SWING TAG ATTACHED TO THE FIXTURE FOR FUTURE REFERENCE.

INSTALLATION INSTRUCTIONS

CAUTION: please consider when installing Twig Lite or Walkway Lite fittings in concrete that water drains down the inside of the pole from the grill at the top. Ensure there is an exit for water to drain away from the bottom of the pole to avoid water building up inside. Run the low voltage cable from the 240v driver in flexible conduit. Make a waterproof connection using heavy walled adhesive lined heat shrink between the luminaire cable and the supply cable.

Warning: when inserting the fixture into the ground apply force only to the top of the pole (DO NOT apply any pressure to the head or the connecting arm.

Warning: take care to place luminaire in a suitably safe position, due to operating temperature of the luminaire.

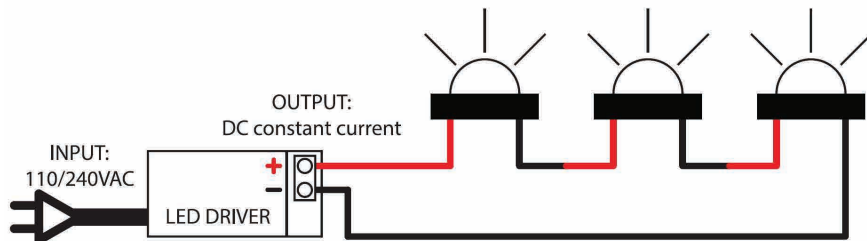
Recommendation: run all low voltage cables in flexible conduit for extra protection. Use Hunza Cable Joint Kit CJK#150. It is recommended that high quality lamps are used when replacing lamps.

Note : If not using a HUNZA™ driver - you must select a suitable constant-current driver. Decide what output is required in mA (350, 700, 1000), or 350, 700 for Twig Lite, Border Lite, Border Lite Twin, Walkway Lite. The LED requires a forward voltage of 6 vdc OR 3vdc (Twig Lite, Border Lite, Border Lite Twin, Walkway Lite).

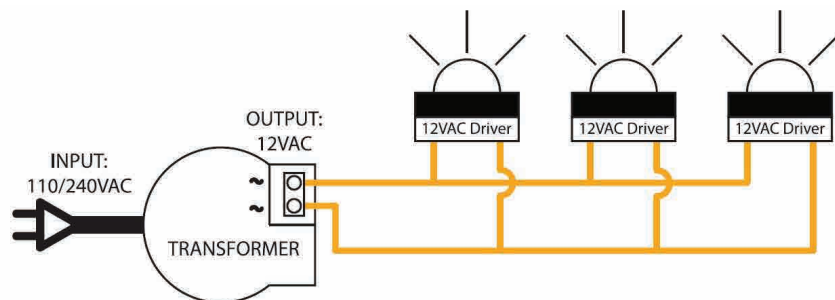
Warning: Do not disconnect the LED luminaire from secondary side of the the driver when connected to the mains. Switch off mains FIRST then disconnect luminaire from the output side of the driver.

DO NOT water blast/jet wash this fixture under any circumstances.

Fixture wired in Series



Fixture with Internal Driver Wired in Parallel



SINGLE & TWIN POLE LITE, TIER LITE, TWIG LITE, WALK WAY LITE, WALK WAY LITE, BORDER LITE & BORDER LITE TWIN RETRO™ LUMINAIRE

NOTE: THESE INSTRUCTIONS MUST NOT CONTRAVENE YOUR LOCAL ELECTRICAL AUTHORITY REGULATIONS, WITH WHICH ALL INSTALLATIONS HERE IN MUST COMPLY. PLEASE KEEP INSTRUCTIONS FOR FUTURE REFERENCE. MUST BE INSTALLED BY A LICENCED ELECTRICIAN

INSTALLATION INSTRUCTIONS

CAUTION : please consider when installing Twig Lite or Walkway Lite fittings in concrete that water drains down the inside of the pole from the grill at the top. Ensure there is an exit for water to drain away from the bottom of the pole to avoid water building up inside.

CAUTION: Do not insert the fitting too far into the ground. Maximum depth must not exceed 180mm (7"). Ensure that all line voltage connections are well above ground level inside the pole.

Make a slurry of concrete, make sure the conduit is protruding out of the concrete slurry and there is at least 500mm of cable protruding out of the conduit. Unscrew the grub screws and remove the bottom section of tube below the lamp holder section and push it into the concrete slurry over the conduit and pull the cable through the tube. Make sure that there is concrete in the bottom of the pole and that the pole is vertical before the concrete sets. There must be concrete in the bottom of the tube to stop moisture build up. Connect the phase (active) wire to the BROWN wire of the luminaire and neutral wire to the BLUE wire of the luminaire. Fit the lamp holder section onto the tube using the stainless steel grub screws provided.

Warning: We recommend when connecting to photocells and timers that the outputs of these devices be a relay output and not an electronic output. This is due to the high frequency output of these devices which can lead to failure of the internal driver.

NOTE: Due to the nature of electronics, the ambient temperature of the installation location must be considered carefully as the luminaire may not operate reliably at temperatures below -8°C (18°F).

LED CHANGING

CAUTION: Make sure that the power to the luminaire is switched off before attempting to change the LED.

Tier Lite: To remove hood - hold the metal ring on the lens (do not use the hood) to screw on or unscrew hood and lens to gain access to LED board. Remove the two allen head screws and carefully unplug the black plug. Plug in the new LED board and replace the two allen head screws. Make sure gasket is free of any dirt before refitting hood.

Border Lite: Carefully remove the four screws from the face plate and replace capsule. Remove the two allen head screws and carefully unplug the black plug. Plug in the new LED board and replace the two allen head screws. Make sure gasket is free of any dirt before refitting face plate. Do not over tighten screws as this makes it very difficult to remove the screws in future.

Twig & Walkway: Remove bung at the top of the pole. Hold the copper or stainless sleeve at the top of the glass, at the same time carefully rotate and pull out the bottom bung from the glass tube. Remove the two allen head screws on the LED board and carefully unplug the black plug. Plug in the new LED board and replace the two allen head screws. Insert back into glass by carefully rotating and pushing the bung back into the tube. Replace the lens assembly back into the pole and fit grub screws and/or top bung.

LED Changing Sequence Pole Lites

Remove the two allen head screws and carefully unplug the black plug. Plug in the new LED board and replace the two allen head screws. When replacing gasket and lens, make sure there is no dirt or grit on the gasket. Dirt or grit on the gasket may cause luminaire to leak.

Gasket and lens sequence (Not Tier Lite)

Place lens on top of lamp and put orange gasket on top of lens. Screw on lens ring.

GLARE GUARD INSTALLATION (POLE LITES)

Carefully remove lens ring making sure not to drop the glass lens and cause damage to it, keeping gasket in place. Hold body of luminaire tightly and screw Glare Guard ring onto light luminaire. Still holding body of luminaire tightly rotate glare guard to desired position.

Stainless Steel Maintenance: To maintain the finish of 316 stainless steel it is recommended to wash the luminaire with fresh water from time to time to stop salt and corrosive elements building up. If tea staining appears, a commercially available stainless steel cleaner is recommended to remove this. Electro polishing is recommended in this situation but the fitting will still require regular maintenance. Even an electro polished stainless steel fixture under an eave or roof will suffer from the build up of salt deposits as it will not be washed away by rain.