

Pagoda Lite

Cat. No. PGL

Cat. No. PGL/R

Cat. No. PGLG9

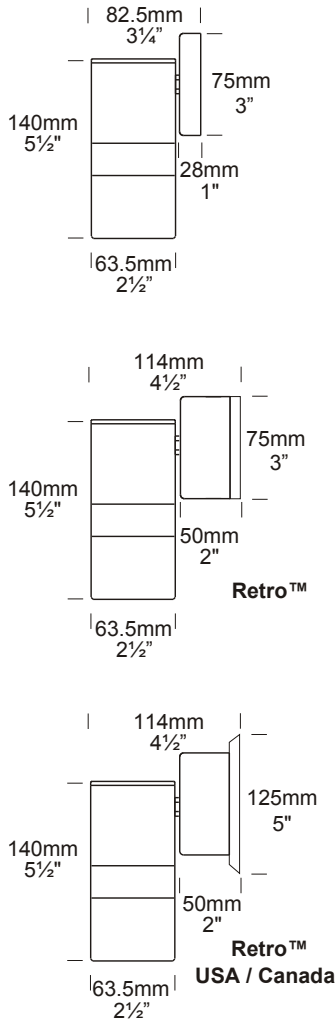


The Pagoda Lite produces a general lighting effect. This luminaire is not for directional lighting. The lens is manufactured from high quality UV stable polycarbonate with stainless anti-glare mesh.

The Retro™ is a 110/240-12 ac mains option suited to an installation where mounting a transformer is a problem, e.g. a brick wall where there is only the cable protruding out of the wall and it is not an option to recess the transformer or when replacing an existing light fitting. The base size increases in size to accommodate the encapsulated IP66 dimmable transformer.

A G9 version of this luminaire is also available for line voltage lamps.

Ordering Information



Luminaire Type

PGL - Pagoda Lite
 PGL/R - Pagoda Lite Retro
 PGLG9 - Pagoda Lite G9

Material/Finish

BK - Black
 BZ - Bronze
 CT - Corten
 DG - Dark Grey
 STAR - Silver Star
 WB - White Birch
 WH - White
 COP - Copper
 SS - Stainless Steel

Accessories

CJK150 - Cable Joint Kit
 LENSBOLOP - Opaque Lens
 WBAP - Wall Box
 Adaptor Plate

Ordering Example: PGL BZ - Pagoda Lite in Bronze
 PGL/R COP - Pagoda Lite Retro in Copper
 PGLG9 SS - Pagoda Lite G9 in Stainless Steel
 LENSBOLOP - Opaque Lens
 (accessories ordered separately)

HUNZA™ PURE OUTDOOR LIGHTING

HUNZA FACTORY
 130 Felton Mathew
 Ave Glen Innes
 Auckland 1072
 New Zealand

Ph: 64-9-528 9471 Fax:
 64-9-528 9361
 hunza@hunza.co.nz
 www.hunzalighting.com

INTERNATIONAL CONTACTS:
[http://www.hunzalighting.com/
 contact.php](http://www.hunzalighting.com/contact.php)

Specifications may change without notice.
 Manufactured in New Zealand. Ver 1.4
 © 2016 Hunza Holdings Ltd.

Luminaire Construction

CNC machined from one of the following metals:

Aluminium

High corrosion resistant aluminium with chromate substrate and high UV resistant polyester powder coat.

Body: 63.5 (2½") x 10mm (3/8").

End cap: solid aluminium 63.5mm (2½") rod.

Base: 2mm (1/6") hand spun aluminium.

Back plate: cast from virgin high corrosion resistant CC401 low copper aluminium alloy.

Colours:

Black, Bronze, Corten, Dark Grey, Olive Green, Silver Star, White, White Birch.

Copper

Body: 63.5 (2½") x 10mm (3/8").

End cap: solid copper 63.5mm (2½") rod.

Base: 2mm (1/6") hand spun copper.

Back plate: forged brass.

316 Stainless Steel

Body: 63.5 (2½") x 10mm (3/8").

End cap: solid stainless steel 63.5mm (2½") rod.

Base: 2mm (1/6") hand spun stainless steel.

Back plate: investment cast and CNC machined stainless steel.

Mounting

12 volt - The luminaire is mounted to the wall using two 316 stainless screws through a shallow base 16mm (5/8") in depth. A Wall Box Adaptor Plate is available as an accessory to fit 3.0 and 4.0 junction boxes for USA/Canada.

Retro - A mounting plate is fixed to the wall using two screws, the luminaire is then fitted to the mounting plate.

Features

Lens

UV stable clear polycarbonate with stainless anti-glare mesh.

Lifetime Warranty.

Gasket

Silicone, iron impregnated 220°C (428°F).

Lamp Holder

G4 - 350°C (662°F) ceramic multi contact lamp holder with 250°C (480°F) Teflon cables.

G9 - 280°C (536°F) ceramic lamp holder with 250°C (480°F) Teflon cables.

Accessories

Cable Joint Kit (Cat. CJK150). Not approved for USA/Canada.

Opaque Lens (Cat. LENSBOLOP).

Wall Box Adaptor Plate (Cat. WBAP). For 12 volt luminaires USA/Canada.

Standards

IP66, UL1838, 

Luminaire Weight

12 volt - **Aluminium** - 0.510kg (1lb 1oz)

Copper - 1.220kg (2lb 11oz)

Stainless Steel - 1.120kg (2lb 7oz)

Retro - **Aluminium** - 0.840kg (1lb 13oz)

Copper - 1.500kg (3lb 4oz)

Stainless Steel - 1.460kg (3lb 3oz)

Power Supply

12 volt - Hunza Inground or Wall Mount Transformer: not included.

USA and Canada

Hunza Wall Mount Transformer: not included.

Retro - Hunza 110/240 12vac potting electronic transformer is built into the base. Dimmable with a suitable dimmer. Approved for internal use.

Lamp Options

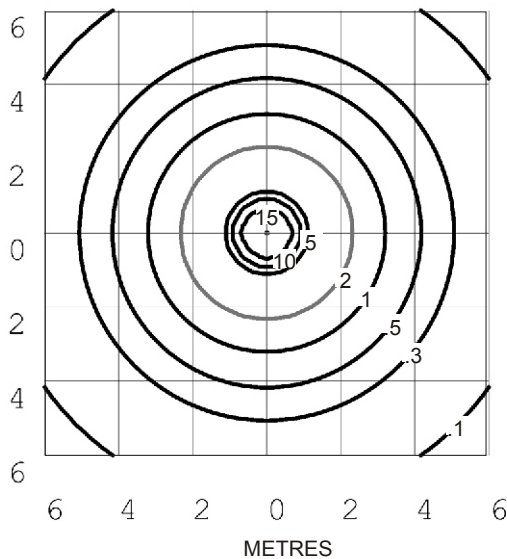
G4 - 5, 10 or 20 watt lamp max.

G9 - 25 watt lamp max.

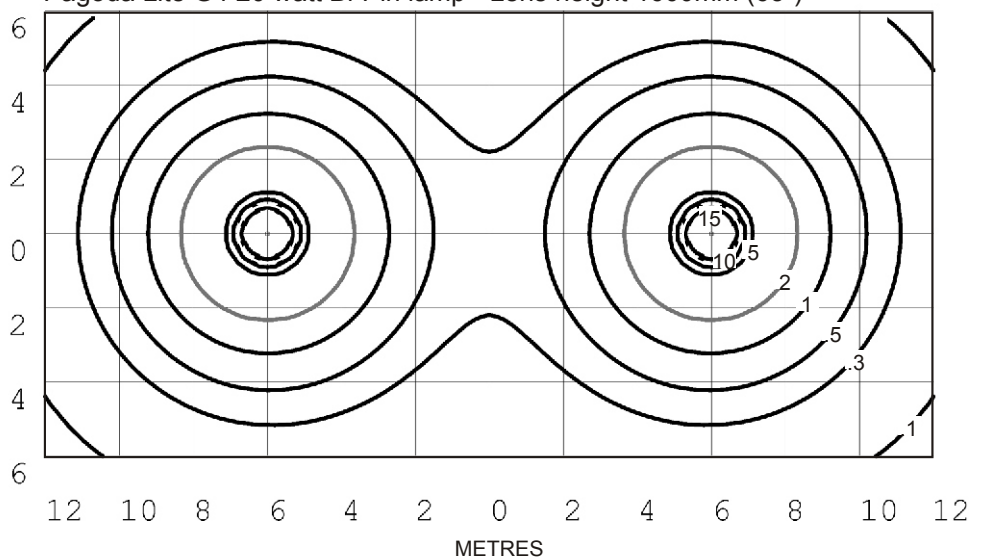
USA and Canada

G4 - 5, 10 or 20 watt lamp max.

G9 - 25 watt lamp max.



Pagoda Lite G4 20 watt Bi-Pin lamp - Lens height 1600mm (63")



Isolux Lumens Plot - Footcandles = Isolux figures divided by 10.76

HUNZA™ PURE OUTDOOR LIGHTING

HUNZA FACTORY 130
Felton Mathew Ave
Glen Innes Auckland
1072
New Zealand

Ph: 64-9-528 9471 Fax:
64-9-528 9361
hunza@hunza.co.nz
www.hunzalighting.com

INTERNATIONAL CONTACTS:
<http://www.hunzalighting.com/contact.php>

Specifications may change without notice.
Manufactured in New Zealand. Ver 1.4
© 2016 Hunza Holdings Ltd.