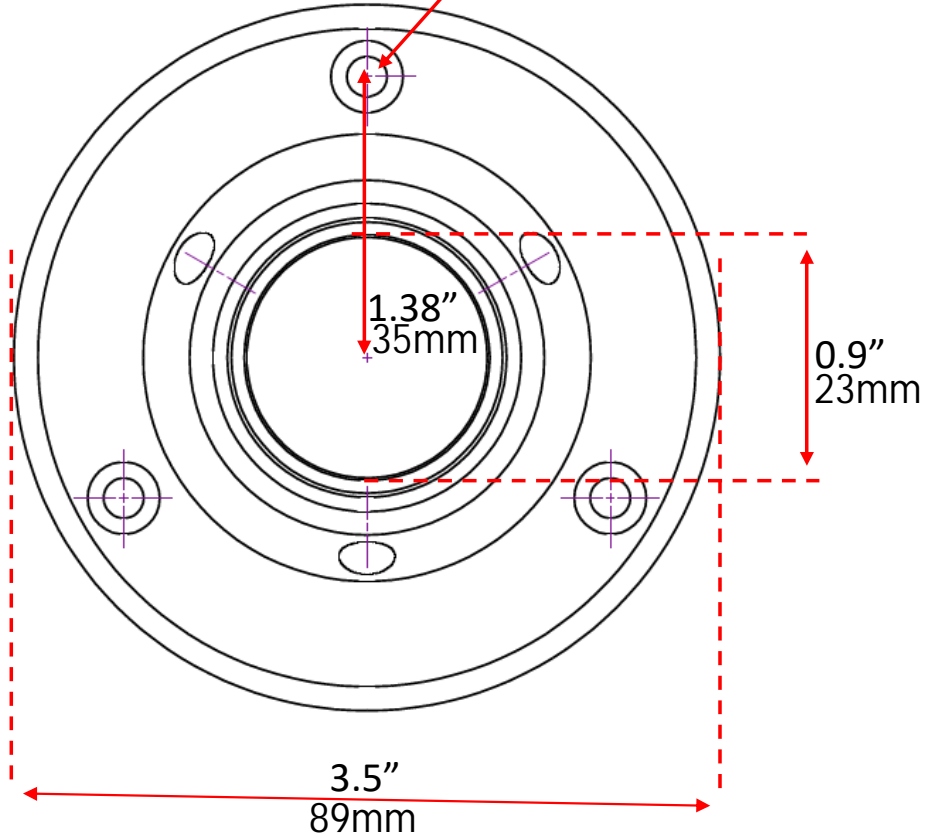
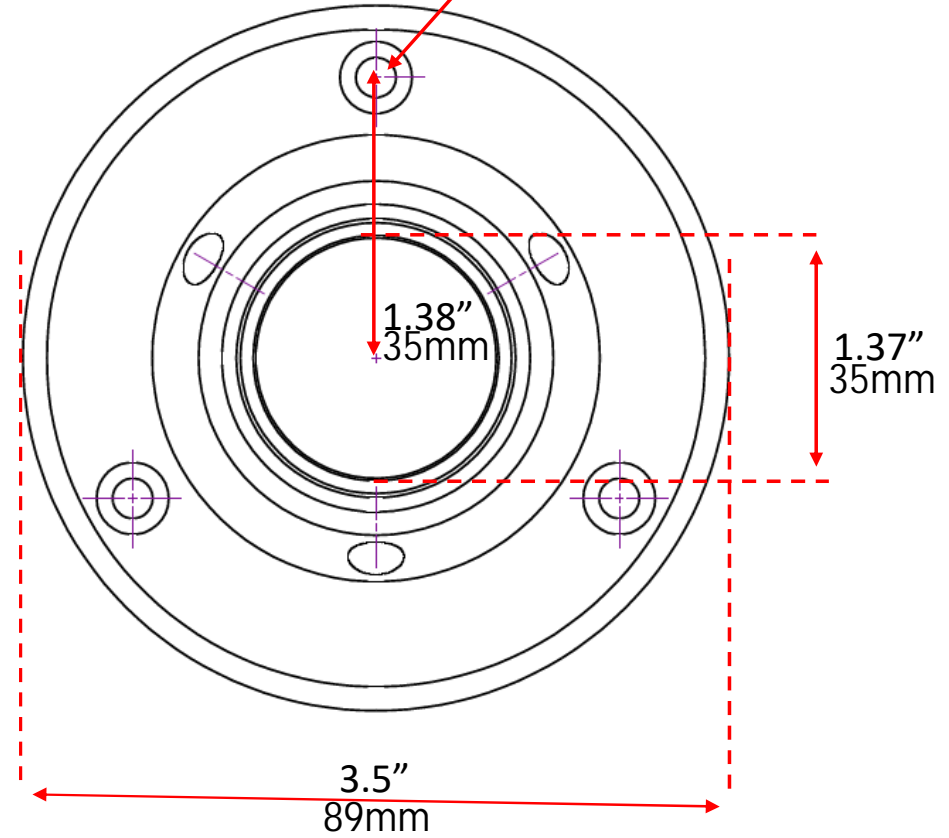


Drill 3/16" holes in 3 places
at 120 degree spacing



FM25

Drill 3/16" holes in 3 places
at 120 degree spacing



FM38