

## ST100RGBW SAFE TOUCH

PROJECT: \_\_\_\_\_

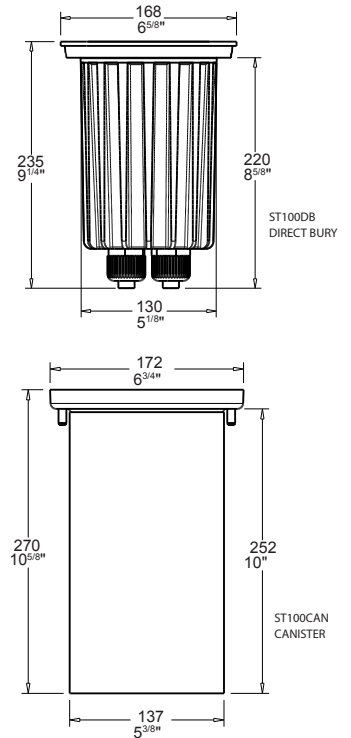
TYPE: \_\_\_\_\_

SOURCE: \_\_\_\_\_

NOTES: \_\_\_\_\_

### SPECIFICATIONS IK10 IP67

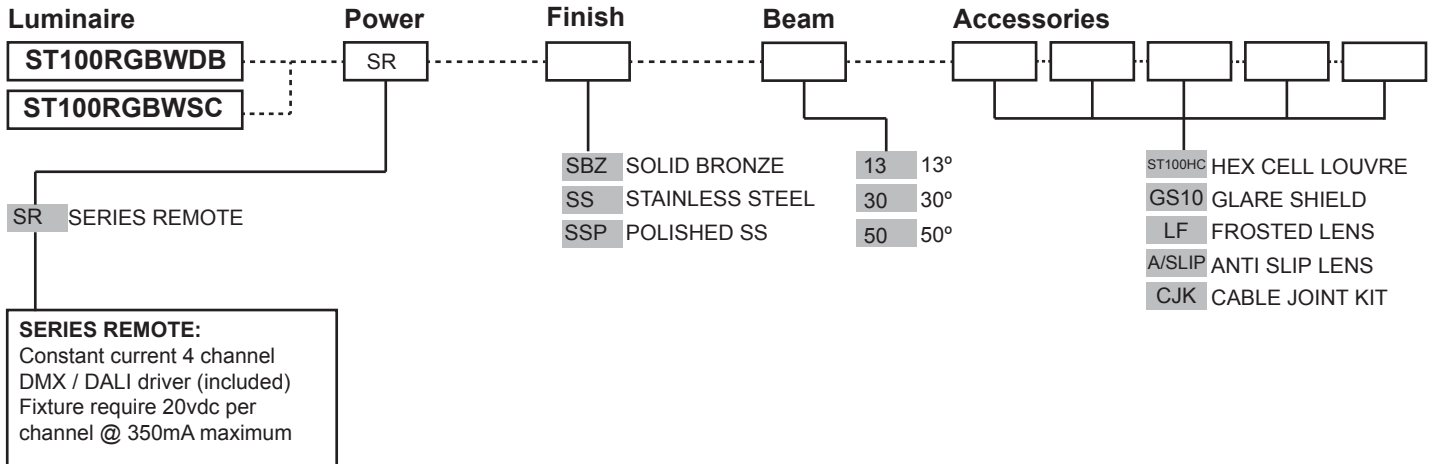
<b>LED Chip</b>	LED ENGIN LZP RGBW field replaceable LED board
<b>Luminaire Output</b>	1400 total Lumens @ 350mA (26 watts) All colours on, Delivered from Luminaire with unobstructed beam.
<b>Lumens Per Watt</b>	54 Lumens minimum @ 26 watts, Delivered from Luminaire with unobstructed beam
<b>CRI (6500K)</b>	RGBW (White 75)
<b>Colour Temperatures</b>	RGBW (White CCT 6500)
<b>Beam Angles</b>	13, 30, 50
<b>Ingress Protection</b>	IP67
<b>Warranty</b>	Electronics = 5 years Body Aluminium = 5 years
<b>Standards</b>	cUL 2108 CE



### PRODUCT CONFIGURATION

Please fill in appropriate codes into boxes provided

Cat. No. ST100RGBW



ADDITIONAL COMMENTS:

# LUMINAIRE CONSTRUCTION

## CNC machined or cast from one of the following metals:

Body - Cast from virgin high corrosion resistant, low copper content (0.001%) aluminium alloy. Finished with chromate substrate, Epoxy layer and a UV resistant polyester powder coat colour.  
Colour - Black.

Flanges - Machined from either  
Solid Bronze 260mm x 6mm (10<sup>1/4</sup>" x 1/4")  
316 Stainless Steel 260mm x 6mm (10<sup>1/4</sup>" x 1/4")

All fixings are made from 316 Stainless Steel

## Step Lens:

12mm (1/2") Extra clear, low iron, shatter resistant glass. Anti Slip option available. Lifetime warranty

## Gaskets:

Silicone, iron impregnated 220°C (428°F)

## Cable:

Water resistant rubber

## Adjustability:

The gimbal is fully adjustable, allowing 360° rotation and 0-20° elevation.

## Mounting:

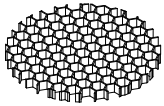
The ST100 is available with a 316 stainless steel mounting canister for casting into the ground or into concrete.

Maximum drive over speed 10 kp/h (6mp/h) with a maximum load rating of 2000kgs (4400lbs).

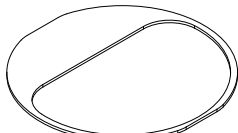
## Luminaire Weight:

Stainless Steel 8kg (17lbs 10oz)  
Solid Bronze 9kg (19lbs 13oz)

# ACCESSORIES



Hex Cell Louvre

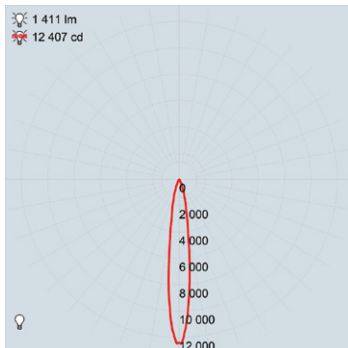


Glare Shield

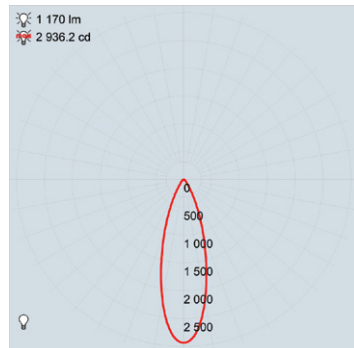
# BEAM ANGLES

High efficiency Reflectors. Field replaceable

IES files available for download: [hunzalighting.com/downloads](http://hunzalighting.com/downloads)



13° FWHM  
TIR

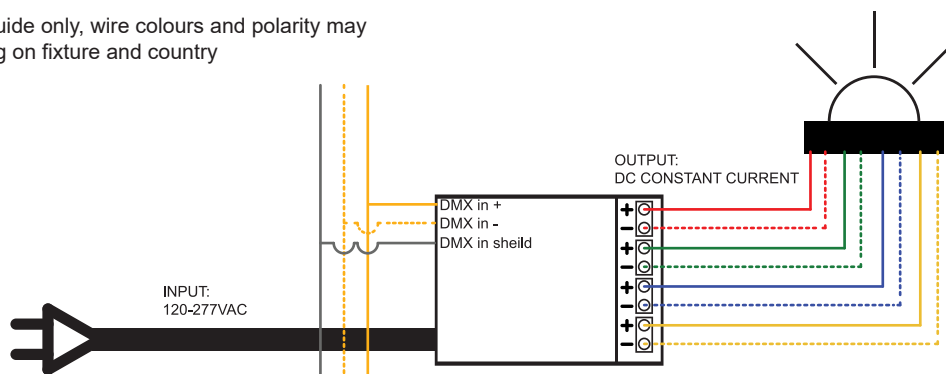


30° FWHM  
TIR

# WIRING GUIDE

Available for download: [hunzalighting.com/downloads](http://hunzalighting.com/downloads)

Diagrams are a guide only, wire colours and polarity may change depending on fixture and country



Specifications may change without notification

Mar 2018