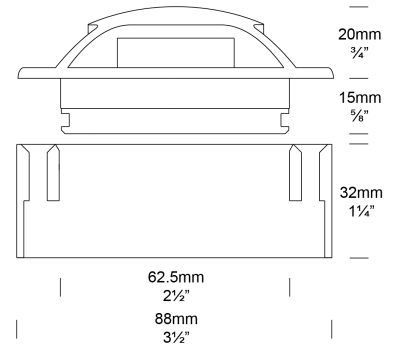


## Path Lite Surface Mount

PROJECT:
TYPE:
SOURCE:
NOTES:

### PURELED SPECIFICATIONS

<b>LED Chip</b>	Cree XPG-3 Plug and Play field replaceable LED board
<b>Luminaire Output</b>	120 Lumens @ 700mA (2 watts), 60 Lumens @ 350mA (1 watt), delivered from luminaire with unobstructed beam.
<b>Lumens Per Watt</b>	60 Lumens @ 2 watts minimum, delivered from luminaire with unobstructed beam
<b>CRI (3000K)</b>	90+
<b>Colour Temperatures</b>	2700K, 3000K, 4000K
<b>Beam Angles</b>	90°, 90° x 90°, 180°, 270°, 360°
<b>Ingress Protection</b>	IP66



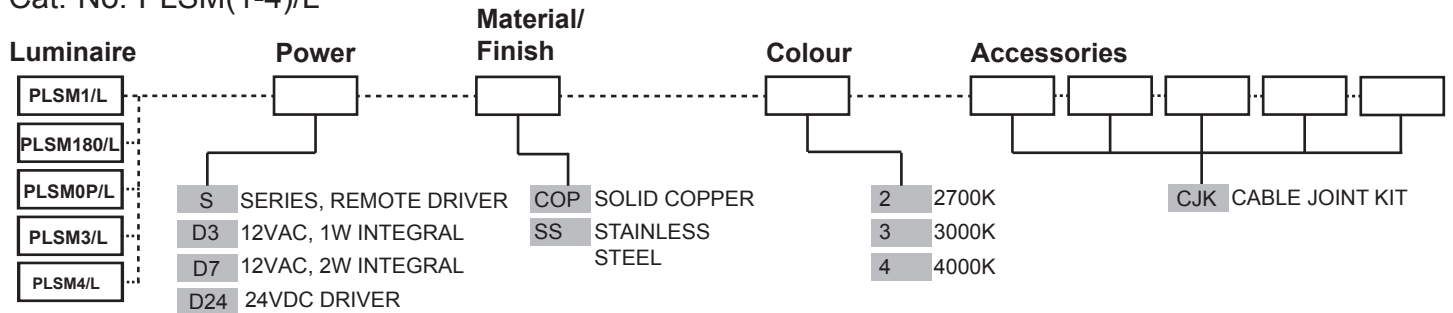
<b>Warranty</b>	Electronics = 5 years Body Cop/SS = 10 years
<b>Standards</b>	AS/NZS 61046 cUL 1838, 2108 CSA C22.2 No.250.7, No.250.0-08 CE



### PRODUCT CONFIGURATION

Please fill in appropriate codes into boxes provided

Cat. No. PLSM(1-4)/L



**SERIES, REMOTE DRIVER REQUIRED:**  
 Constant current driver  
 Individual fixtures require 3vdc @ 700mA maximum

**12VAC INTEGRAL DRIVER:**  
 Hunza Buckbullet driver (included)  
 Input: 12VAC, 2watt total  
 Output: 3vdc @ D3=350mA, D7=700mA

**24VDC DRIVER:**  
 Input: 24vdc.  
 Output: 18vdc @ 700mA constant current (non dimming).  
*Note: not for USA.*

**OTHER LAMP OPTIONS:**  
 PLSM(1-4)/H - G4 Halogen 12V Lamp

[Click here for halogen specification sheet](#)

[Click here for 240v Remote Power Supply Guidance Charts](#)  
[Click here for USA Remote Power Supply Guidance Charts](#)

# LUMINAIRE CONSTRUCTION

CNC machined from one of the following

**metals:**

**Copper**

Body: 88mm (3<sup>1/2</sup>" ) x 9mm (3/8" ) copper tube.

End cap: solid copper 63.5mm (2<sup>1/2</sup>" ) rod.

Flange: solid copper 88mm (3<sup>1/2</sup>" ) rod.

**316 Stainless Steel**

Body: solid 316 stainless steel 88mm (3<sup>1/2</sup>" ) x 9mm (3/8" ).

End cap: solid 316 stainless steel 63.5 (2<sup>1/2</sup>" ) rod.

Flange: 316 stainless steel 88mm (3<sup>1/2</sup>" ) rod.

**Lens:**

TIR Borosilica glass lens.

Lifetime warranty.

**Gaskets:**

Silicone, iron impregnated 220°C (428°F)

**Mounting:**

The luminaire is secured to the ground by three mounting screws.

**Luminaire Weight:**

Cop: 1.300kg (2lb 14oz)

SS: 1.000kg (2lb 3oz)

## ACCESSORIES

## BEAM ANGLES

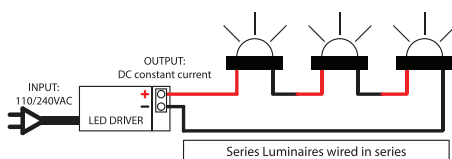
High efficiency PMMA TIR lenses. Field replaceable

IES files available for download: [hunzalighting.com/downloads](http://hunzalighting.com/downloads)

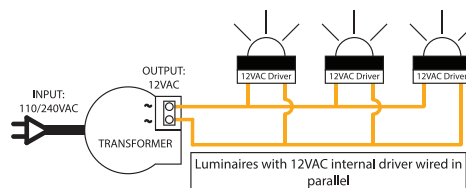
## WIRING GUIDE

Available for download: [hunzalighting.com/downloads](http://hunzalighting.com/downloads)

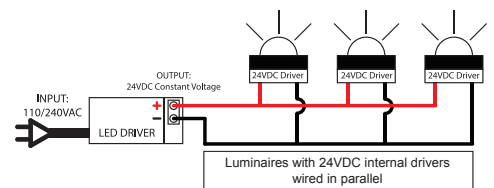
Series/remote driver



12v integral driver



24vdc integral driver



Diagrams are a guide only, wire colours and polarity may change depending on fixture and country

Specifications may change without notification

Aug 2017

**HUNZA**™ PURE  
OUTDOOR  
LIGHTING

**HUNZA FACTORY**

130 Felton Mathew Ave  
Saint Johns  
Auckland 1072  
New Zealand

Ph: +64-9-528 9471  
Fax: +64-9-528 9361  
hunza@hunza.co.nz  
www.hunzalighting.com

**INTERNATIONAL CONTACTS:**

<http://www.hunzalighting.com/contact.php>

This document contains proprietary information of Hunza. Its receipt or possession does not convey any rights to reproduce or disclose its content.