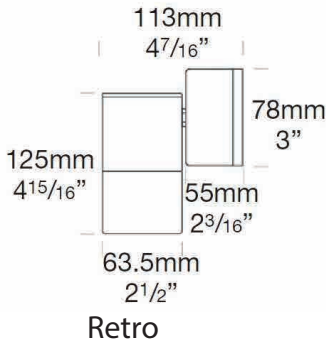
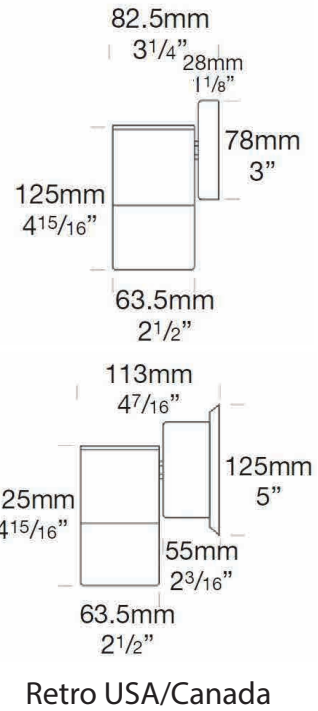


## Pagoda Lite

PROJECT:
TYPE:
SOURCE:
NOTES:

### PURELED SPECIFICATIONS

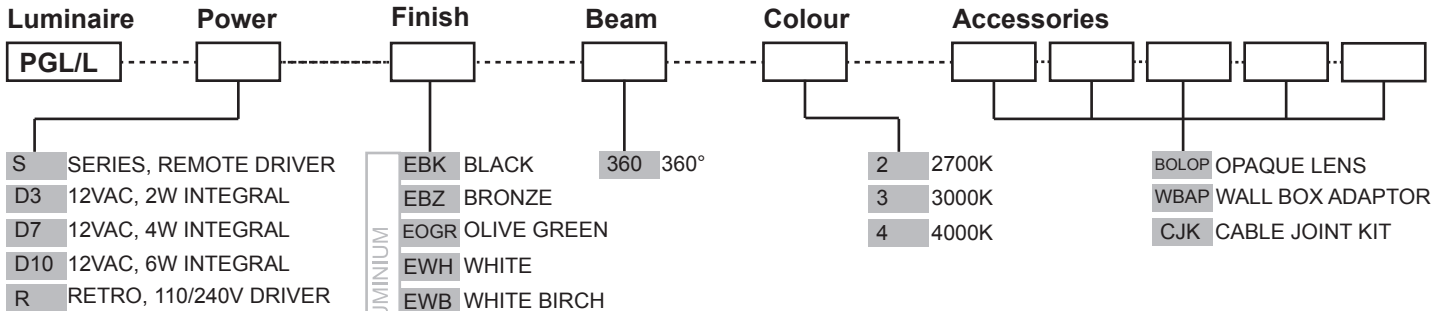
<b>LED Chip</b>	Cree XHP-50-2 Plug and Play field replaceable LED board
<b>Luminaire Output</b>	510 Lumens @ 1050mA (6 watts), 340 Lumens @ 700mA (4 watts), 160 Lumens @ 350mA (2 watts), delivered from luminaire with unobstructed beam.
<b>Lumens Per Watt</b>	85 Lumens minimum @ 6 watts, delivered from luminaire with unobstructed beam
<b>CRI (3000K)</b>	90+
<b>Colour Temperatures</b>	2700K, 3000K, 4000K
<b>Beam Angles</b>	360 degrees
<b>Ingress Protection</b>	IP66
<b>Warranty</b>	Electronics = 5 years Body Cop/ SS = 10 years Body Aluminium = 5 years
<b>Standards</b>	AS/NZS 61046, EN60598 cUL 1838, 2108, 1598 CSA C22.2 No. 250.7, No. 250.0-08, No. 250.0 CE



### PRODUCT CONFIGURATION

Please fill in appropriate codes into boxes provided

Cat. No. PGL/L



**S** SERIES, REMOTE DRIVER  
**D3** 12VAC, 2W INTEGRAL  
**D7** 12VAC, 4W INTEGRAL  
**D10** 12VAC, 6W INTEGRAL  
**R** RETRO, 110/240V DRIVER

**SERIES, REMOTE DRIVER REQUIRED:**  
 Constant current driver  
 Individual fixtures require 6vdc @ 1050mA maximum

**12VAC INTEGRAL DRIVER:**  
 Hunza integrated plug and play driver (included)  
 Input: 9-15VAC  
 Output: 6vdc @ D3=350mA, D7=700mA, D10=1050mA (1050mA limited to ≤ 40°C (104°F) ambient temperature in stainless steel)

**110/240VAC RETRO DRIVER:**  
 Input: 120/240vac, 5 watt total (driver included)  
 Output: 6vdc, 700mA (non dimming)

**ALUMINIUM**

**EBK** BLACK  
**EBZ** BRONZE  
**EOGR** OLIVE GREEN  
**EWH** WHITE  
**EWB** WHITE BIRCH  
**EDG** DARK GREY  
**ESTAR** SILVER STAR  
**ECT** CORTEN

**COP** SOLID COPPER  
**SS** STAINLESS STEEL

**2** 2700K  
**3** 3000K  
**4** 4000K

**BOLOP** OPAQUE LENS  
**WBAP** WALL BOX ADAPTOR  
**CJK** CABLE JOINT KIT

**OTHER LAMP OPTIONS:**  
 PGL/H - G4 Halogen 12V Lamp  
 PGL/GL - G4 LED Retrofit 12V Lamp (lamps vary by market - please refer to supplier for details)

[Click here for 240v Remote Power Supply Guidance Charts](#)  
[Click here for USA Remote Power Supply Guidance Charts](#)

[Click here for halogen specification sheet](#)

# LUMINAIRE CONSTRUCTION

## CNC machined from one of the following metals:

### Aluminium:

Body: high corrosion resistant 63.5mm (2<sup>1/2"</sup>) x 10mm (3/8") aluminium.

End cap: solid aluminium 63.5mm (2<sup>1/2"</sup>) rod.

Base and Mounting Plate (Retro™): handspun 2mm (5/64") aluminium. Base cast from virgin CC401 low copper aluminium alloy chromate substrate and high UV resistant polyester powder coat.

### Colours:

Black, Bronze, Silver Star, White, White Birch, Olive Green, Dark Grey, Corten.

### Copper:

Body: 63.5mm (2<sup>1/2"</sup>) x 10mm (3/8").

End cap: solid copper 63.5mm (2<sup>1/2"</sup>) rod.

Base and Mounting Plate (Retro™): handspun 2mm (5/64") copper disk and forged brass.

### 316 Stainless Steel:

Body: 63.5mm (2<sup>1/2"</sup>) x 10mm (3/8").

End cap: solid 316 stainless steel 63.5 (2<sup>1/2"</sup>) rod.

Base and Mounting Plate (Retro™): investing cast and CNC machined 316 stainless steel.

### Lens:

UV stable clear polycarbonate with stainless anti-glare mesh

### Gaskets:

Silicone, iron impregnated 220°C (428°F)

### Mounting:

12 volt: the luminaire is mounted to the wall using two 316 stainless screws through a shallow base 28mm (1<sup>1/8"</sup>) in depth.

Retro™ (110/240-12volt): a mounting plate is fixed to the wall using two screws and the luminaire is fitted to the mounting plate.

### Luminaire Weight:

Low voltage

Alum: 0.510kg (1lb 1oz)

Cop: 1.220kg (2lb 11oz)

SS: 1.120kg (2lb 7oz)

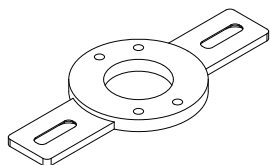
Retro™

Alum: 0.840kg (1lb 13oz)

Cop: 1.500kg (2lb 11oz)

SS: 1.460kg (3lb 3oz)

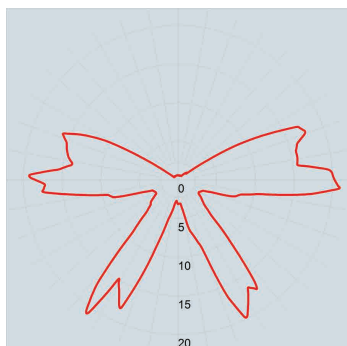
## ACCESSORIES



Wall Box Adaptor

## BEAM ANGLES

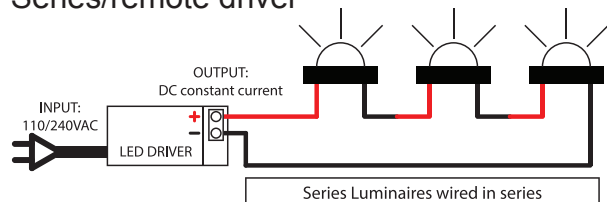
IES files available for download: [hunzalighting.com/downloads](http://hunzalighting.com/downloads)



Polycarbonate lens

## WIRING GUIDE

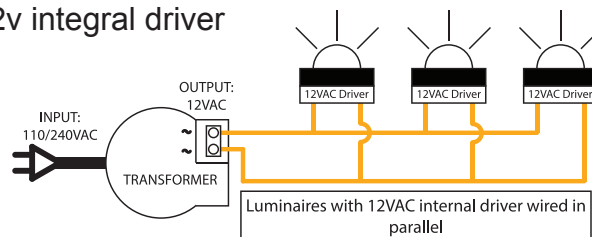
### Series/remote driver



Diagrams are a guide only, wire colours and polarity may change depending on fixture and country

Available for download: [hunzalighting.com/downloads](http://hunzalighting.com/downloads)

### 12v integral driver



Specifications may change without notification

Aug 2017

**HUNZA**™ PURE OUTDOOR LIGHTING

HUNZA FACTORY

130 Felton Mathew Ave  
Saint Johns  
Auckland 1072  
New Zealand

Ph: +64-9-528 9471  
Fax: +64-9-528 9361  
hunza@hunza.co.nz  
www.hunzalighting.com

INTERNATIONAL CONTACTS:

<http://www.hunzalighting.com/contact.php>

This document contains proprietary information of Hunza. Its receipt or possession does not convey any rights to reproduce or disclose its content.