

Ultra 50 Wall Spot Light

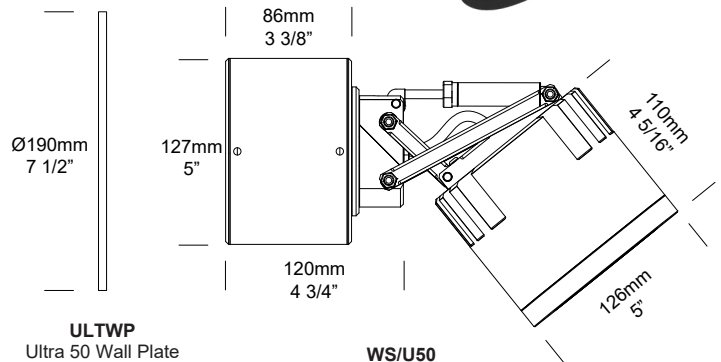
PROJECT:
TYPE:
SOURCE:
NOTES:

SPECIFICATIONS



LED Chip	Cree CXA 2540 field replaceable LED board
Luminaire Output*	5000 Lumens minimum @ 1400mA (52 watts)
Lumens Per Watt*	96 Lumens minimum @ 52 watts
CRI (3000K)	80 Standard, 90+ Optional
LED Life Expectancy	50,000 hours L70
Colour Temperatures	2700K, 3000K, 4000K, 3000K, 90+ CRI
Beam Angles	13, 22, 33, 51
Ingress Protection	IP66
Warranty	Electronics = 5 years Aluminium Body = 5 years
Standards	BS/EN 60598.2.2 cUL 1598 CE
B Number	94.05

*Delivered from the Luminaire with unobstructed beam



ULTWP
Ultra 50 Wall Plate
Supplied with USA/CANADA fixtures only.

WS/U50
Ultra 50 Wall Spot

PRODUCT CONFIGURATION

Please fill in appropriate codes into boxes provided

Cat. No. WS/U50

Luminaire	Power	Material/Finish	Beam	Colour	Accessories	
WS/U50						
SR	Series Remote - 1400mA Input, 52W Output	ALUMINIUM	22 22°	2 2700K	CJK Cable Joint Kit	
R	Retro® - 120-277 VAC Input Parallel Wired		EBK BLACK	33 33°	3 3000K	GG/U50 Glare Guard
			EOGR OLIVE GREEN	51 51°	4 4000K	GS05 Glare Shield
			EWH WHITE		39 3000K, 90+ CRI	HCL/U50 Hex Cell Louvre
			EWB WHITE BIRCH			LF Frosted Lens
			EDG DARK GREY			SNT/U50 Snoot
			ESTAR SILVER STAR			ULTWP Wall Plate
			ECT CORTEN			PB/U50 Pole Bracket
				13 13°		
				*Requires Lens Ring extension		
			54mm 2 1/8"			
<div style="border: 1px solid black; padding: 5px;"> <p>SR Series Remote Driver Constant current driver (included, not installed). Individual fixtures require: 37VDC @1400mA (MAX) (Dimming option available 0-10V)</p> <p>R Retro® 110-277VAC Driver Integrated constant current driver (included). Input: 120, 240, 277 VAC Output: 60 Watts total 37VDC @ 1400mA (Dimming option available 0-10V)</p> </div>						
<div style="border: 1px solid black; padding: 5px;"> <p>Additional Comments:</p> </div>						

*Due to continued product enhancements, specifications may change without notification.

LUMINAIRE CONSTRUCTION

CNC machined from one of the following metals:

Aluminium:

Base: 130mm (5 1/8") solid aluminium rod.
 Body: 130mm (5 1/8") high corrosion resistant aluminium tube with chromate substrate and high UV resistant polyester powder coat.
 Colours: Black, Bronze, Silver Star, White, White Birch, Olive Green, Dark Grey, Corten.

Cable:

Water resistant rubber SWOOJ cable with HUNZA™ Anti-Syphon™ barrier system

Gaskets:

Silicone, iron impregnated 220°C (428°F).

Step Lens:

12mm (1/2") extra clear, low iron, shatter resistant glass.
 Lifetime warranty.

Mounting:

The mounting plate is fixed to the surface using three stainless steel screws. The luminaire is then fixed to the mounting plate.

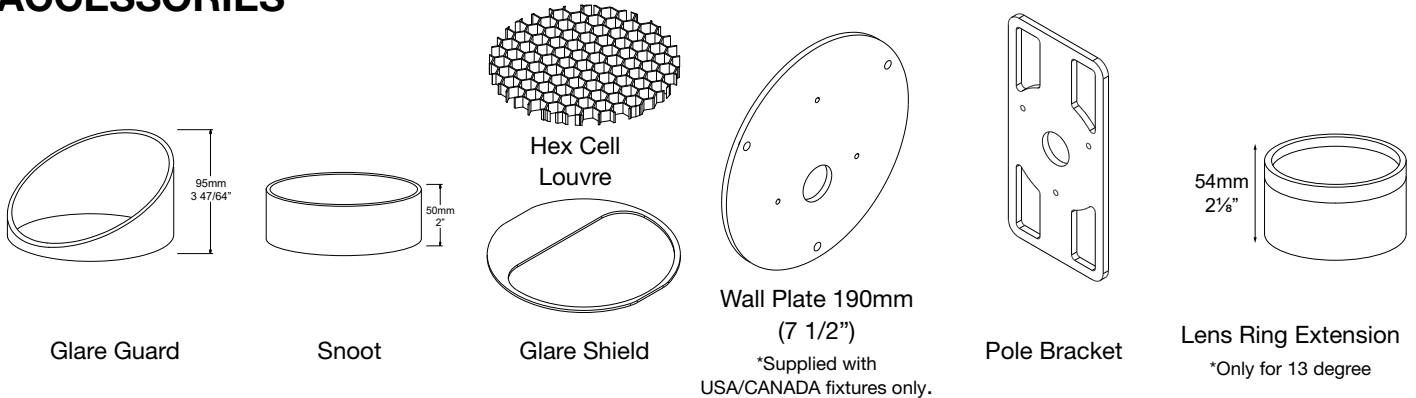
Large Wall Plate is available for mounting over junction boxes. For use in USA and Canada.

Luminaire Weight:

5kg (11lb)



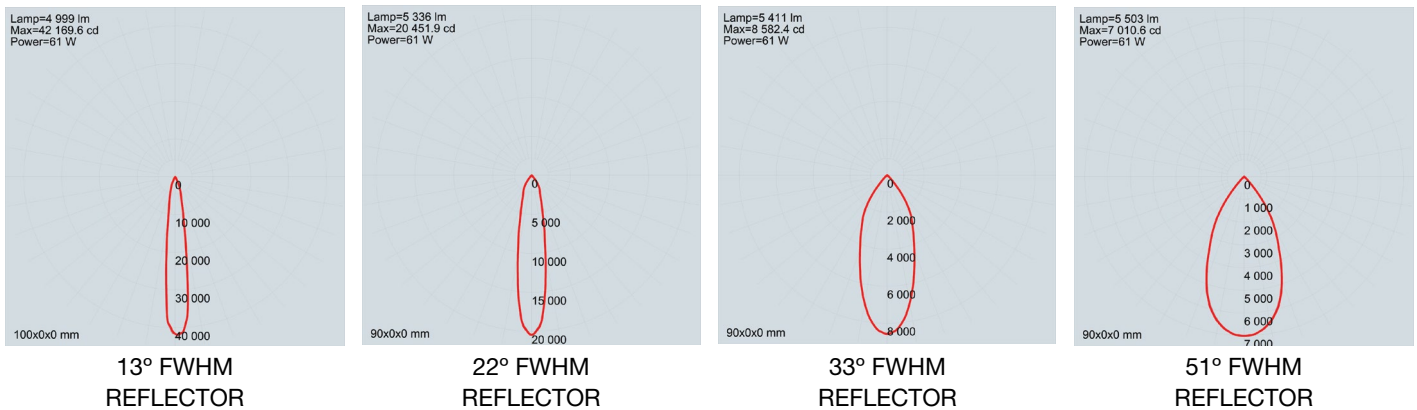
ACCESSORIES



BEAM ANGLES

High efficiency Reflectors. Field replaceable

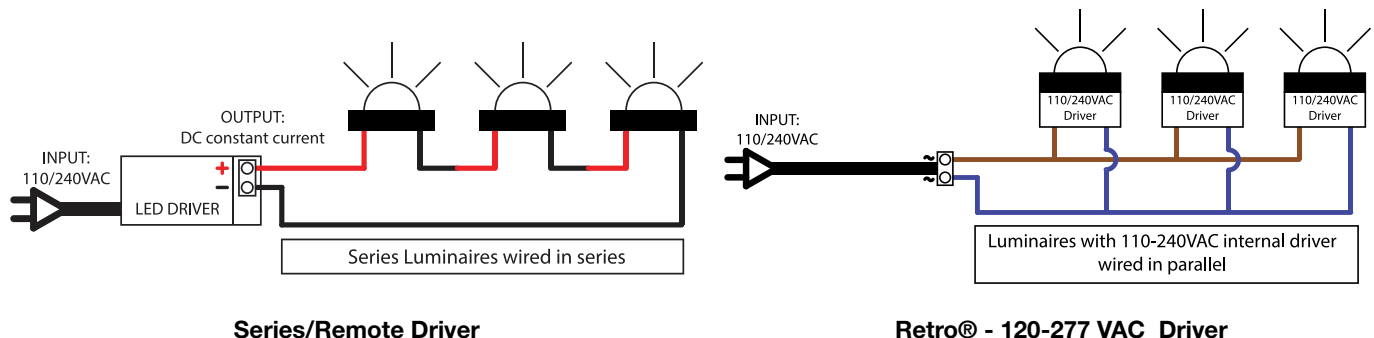
IES files available for download: hunzalighting.com/downloads



WIRING GUIDE

Available for download: hunzalighting.com/downloads

NOTE: Diagrams are a guide only, wire colours and polarity may change depending on fixture and country.



*Due to continued product enhancements, specifications may change without notification.



HUNZA LIGHTING
 130 Felton Mathew Ave
 Saint Johns
 Auckland 1072
 New Zealand

Ph: +64-9-528 9471
 Fax: +64-9-528 9471
hunza@hunza.co.nz
www.hunzalighting.com

INTERNATIONAL CONTACTS:
www.hunzalighting.com/contact

This document contains proprietary information of Hunza™. Its receipt or possession does not convey any rights to reproduce or disclose its content.