

## ST150RGBW SAFE TOUCH

PROJECT: \_\_\_\_\_

TYPE: \_\_\_\_\_

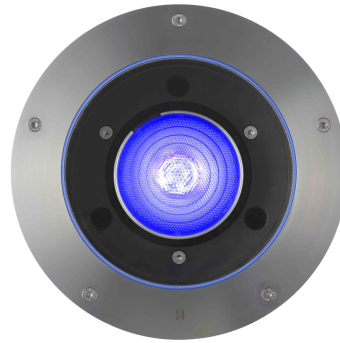
SOURCE: \_\_\_\_\_

NOTES: \_\_\_\_\_

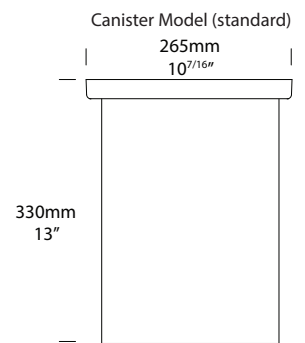
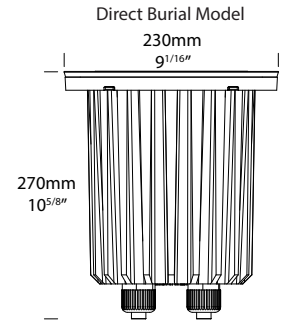
### SPECIFICATIONS



<b>LED Chip</b>	LED ENGIN L2P RGBW field replaceable LED board
<b>Luminaire Output</b>	2800 total Lumens @ 700mA (52 watts) all colours on, delivered from Luminaire with unobstructed beam.
<b>Lumens Per Watt</b>	54 Lumens minimum @ 52 watts, delivered from Luminaire with unobstructed beam
<b>CRI (6500K)</b>	RGBW (White 75)
<b>Colour Temperatures</b>	RGBW (White CCT 6500)
<b>Beam Angles</b>	13, 30, 40
<b>Ingress Protection</b>	IP68 *not for use in pool or ponds
<b>Warranty</b>	Electronics = 5 years Body Aluminium = 5 years
<b>Standards</b>	BS/EN 60598.2.2 cUL 1598 CE



ST150RGBW/SC



### PRODUCT CONFIGURATION

Please fill in appropriate codes into boxes provided

Cat. No. ST150RGBW

#### Luminaire

- ST150RGBW/DB
- ST150RGBW/SC
- ST150RGBW/CAN  
Double Flange Model

#### Power

SR

#### Material/ Finish

- SBZ SOLID BRONZE
- SS STAINLESS STEEL
- SSP POLISHED SS

#### Beam

- 13 13°
- 30 30°
- 40 40°

#### Accessories

- HCL/ST150 HEX CELL LOUVRE
- GS15 GLARE SHIELD
- LENST150FR FROSTED LENS
- LENST150CAS ANTI SLIP LENS
- CJK CABLE JOINT KIT

SR SERIES REMOTE

**SERIES REMOTE:**  
Constant current 4 channel DMX / DALI driver (included)  
Fixture require 20vdc per channel @ 700mA maximum

ADDITIONAL COMMENTS:

\_\_\_\_\_

# LUMINAIRE CONSTRUCTION

## CNC machined or cast from one of the following metals:

Body - Cast from virgin high corrosion resistant, low copper content (0.001%) aluminium alloy. Finished with chromate substrate, Epoxy layer and a UV resistant polyester powder coat colour.  
Colour - Black.

Flanges - Machined from either Solid Bronze 260mm x 6mm (10<sup>1/4</sup>" x 1/4")  
316 Stainless Steel 260mm x 6mm (10<sup>1/4</sup>" x 1/4")

All fixings are made from 316 Stainless Steel

## Step Lens:

12mm (1/2") Extra clear, low iron, shatter resistant glass. Anti Slip option available. Lifetime warranty

## Gaskets:

Silicone, iron impregnated 220°C (428°F)

## Cable:

Water resistant rubber

## Adjustability:

The gimbal is fully adjustable, allowing 360° rotation and 0-20° elevation.

## Mounting:

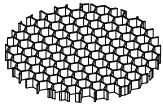
The ST150 is available with a 316 stainless steel mounting canister for casting into the ground or into concrete.

Maximum drive over speed 10 kp/h (6mp/h) with a maximum load rating of 2000kgs (4400lbs).

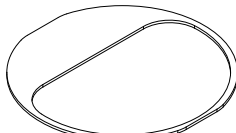
## Luminaire Weight:

Stainless Steel 10kg (22lbs 1oz)  
Solid Bronze 11kg (24lbs 4oz)

# ACCESSORIES



Hex Cell Louvre

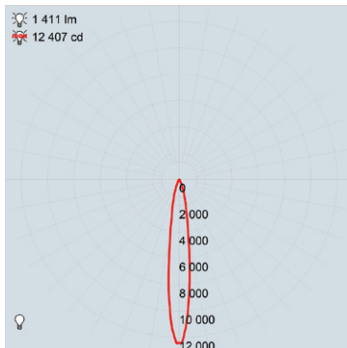


Glare Shield

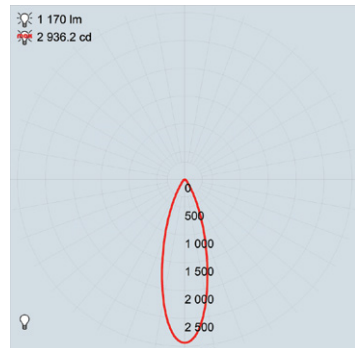
# BEAM ANGLES

High efficiency Reflectors. Field replaceable

IES files available for download: [hunzalighting.com/downloads](http://hunzalighting.com/downloads)



13° FWHM  
TIR

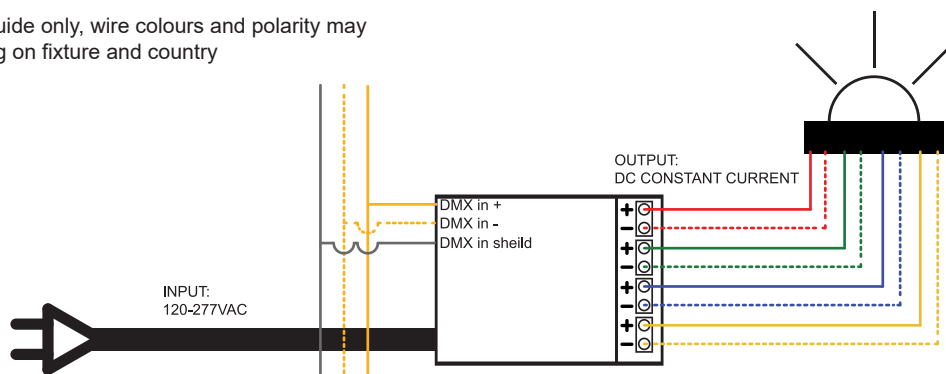


30° FWHM  
TIR

# WIRING GUIDE

Available for download: [hunzalighting.com/downloads](http://hunzalighting.com/downloads)

Diagrams are a guide only, wire colours and polarity may change depending on fixture and country



Specifications may change without notification

Mar 2018