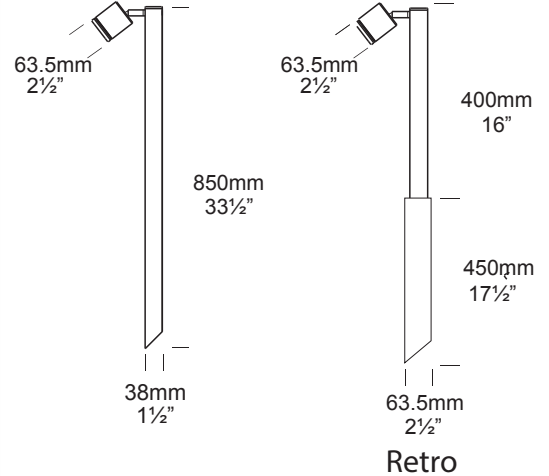


Single Pole Lite

PROJECT:
TYPE:
SOURCE:
NOTES:

PURELED SPECIFICATIONS

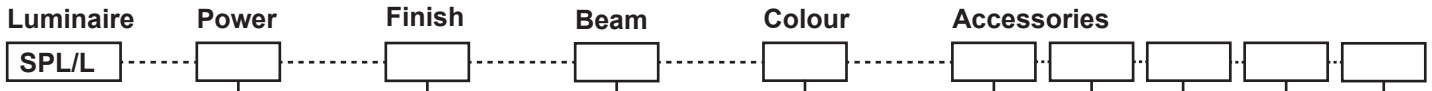
LED Chip	Cree XHP-50-2 Plug and Play field replaceable LED board
Luminaire Output	600 Lumens @ 1050mA (6 watts), 420 Lumens @ 700mA (4 watts), 240 Lumens @ 350mA (2 watts), delivered from luminaire with unobstructed beam.
Lumens Per Watt	100 Lumens minimum @ 6 watts, delivered from luminaire with unobstructed beam
CRI (3000K)	90+
Colour Temperatures	2700K, 3000K, 4000K
Beam Angles	15, 25, 38, 60
Ingress Protection	IP56/IP66
Warranty	Electronics = 5 years Body Cop/SS = 10 years Body Aluminium = 5 years
Standards	AS/NZS 61046 cUL 1838, 2108 CSA C22.2 No.250.7, No.250.0-08 CE



PRODUCT CONFIGURATION

Please fill in appropriate codes into boxes provided

Cat. No. SPL/L



- S** SERIES, REMOTE DRIVER
- D3** 12VAC, 2W INTEGRAL
- D7** 12VAC, 4W INTEGRAL
- D10** 12VAC, 6W INTEGRAL
- R** RETRO, 110/240V DRIVER

SERIES, REMOTE DRIVER REQUIRED:
Constant current driver
Individual fixtures require 6vdc @ 1050mA maximum
12VAC INTEGRAL DRIVER:
Hunza integrated plug and play driver (included)
Input: 9-15VAC, 7watt total
Output: 6vdc @ D3=350mA, D7=700mA, D10=1050mA (1050mA limited to ≤ 40°C (104°F) ambient temperature in stainless steel)
110/240VAC RETRO DRIVER:
Input: 120/240vac, 5 watt total (included)
Output: 6vdc, 700mA (non dimming)

- ALUMINIUM**
- EBK** BLACK
 - EBZ** BRONZE
 - EOGR** OLIVE GREEN
 - EWH** WHITE
 - EWB** WHITE BIRCH
 - EDG** DARK GREY
 - ESTAR** SILVER STAR
 - ECT** CORTEN
 - COP** SOLID COPPER
 - SS** STAINLESS STEEL

- 15** 15°
- 25** 25°
- 38** 38°
- 60** 60°

- 2** 2700K
- 3** 3000K
- 4** 4000K

- HCL** HEX CELL LOUVRE
- SNT** SNOOT
- GG** GLARE GUARD
- LF** FROSTED LENS
- FM** FLANGE MOUNT
- LKN** LOCKING KNUCKLE
- CJK** CABLE JOINT KIT

OTHER LAMP OPTIONS:
SPL/H - MR16 Halogen 12V Lamp
SPL/SL - MR16 LED Retrofit 12V Lamp (lamps vary by market - please refer to supplier for details)
SPL/GUH - GU10 120/240V Halogen Lamp (body length increases for all GU10 lamps)
SPL/GUSL - GU10 LED Retrofit 120/240V Lamp (lamps vary by market - please refer to supplier for details)

[Click here for halogen specification sheet](#)

[Click here for 240v Remote Power Supply Guidance Charts](#)
[Click here for USA Remote Power Supply Guidance Charts](#)

LUMINAIRE CONSTRUCTION

CNC machined from one of the following metals:

Aluminium

Body: solid high corrosion resistant 63.5mm (2^{1/2"}) x 10mm (3/8") aluminium.
 End cap: solid aluminium 63.5mm (2^{1/2"}) rod, with chromate substrate and high UV resistant polyester powder coat.
 Pole: aluminium 38mm (1^{1/2"}) tube.
 Colours:
 Black, Bronze, Silver Star, White, White Birch, Olive Green, Dark Grey, Corten.

Copper

Body: 63.5mm (2^{1/2"}) x 10mm (3/8").
 End cap: solid copper 63.5mm (2^{1/2"}) rod.
 Pole: solid 38mm (1^{1/2"}) tube.

316 Stainless Steel

Body: 63.5mm (2^{1/2"}) x 10mm (3/8").
 End cap: solid 316 stainless steel 63.5 (2^{1/2"})
 Pole: 316 stainless steel 38mm (1^{1/2"}) tube.

Knuckles:

Aluminium and Copper luminaires - 360° rotation and 0-90° elevation, solid brass with anti rust spring.
 Stainless Steel luminaires - 360° rotation and 0-90° elevation, full stainless steel construction.

Step Lens:

10mm (3/8") Extra clear, low iron, shatter resistant glass.
 Lifetime warranty.

Gaskets:

Silicone, iron impregnated 220°C (428°F)

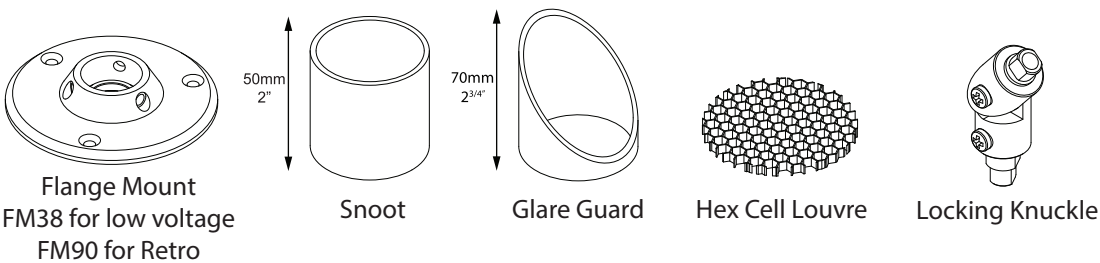
Mounting

The pole 800mm (31^{1/2"}) is directly mounted into the earth or concrete.
 Flange Mount option is available for hard surfaces.

Luminaire Weight:

Low voltage
 Alum: 1.000kg (2lb 3oz)
 Cop: 2.300kg (5lb 1oz)
 SS: 2.100kg (4lb 10oz)
 Retro™
 Alum: 2.100kg (4lb 10oz)
 Cop: 3.300kg (7lb 4oz)
 SS: 3.100kg (6lb 13oz)

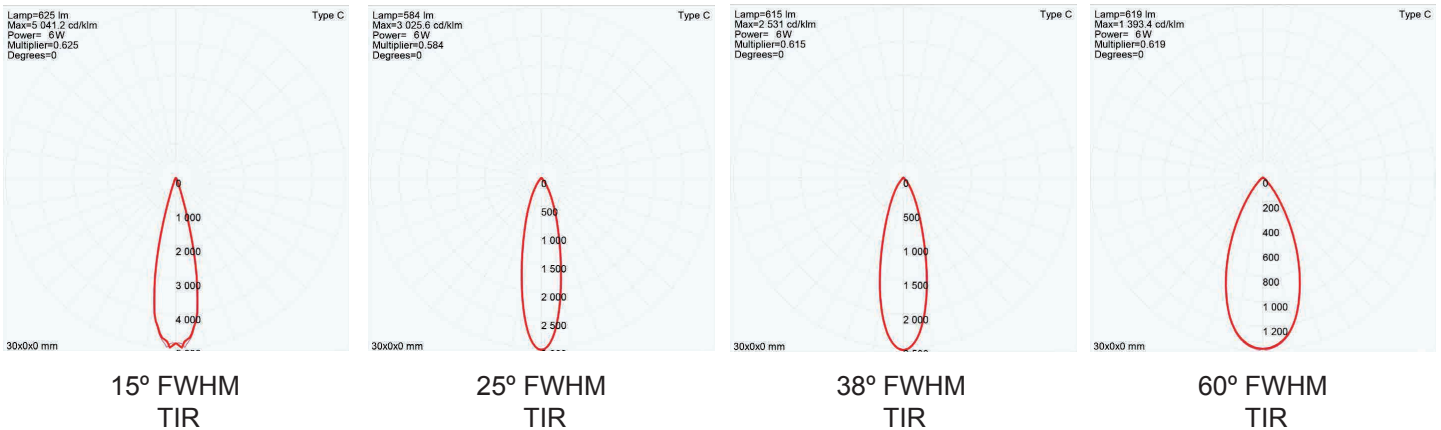
ACCESSORIES



BEAM ANGLES

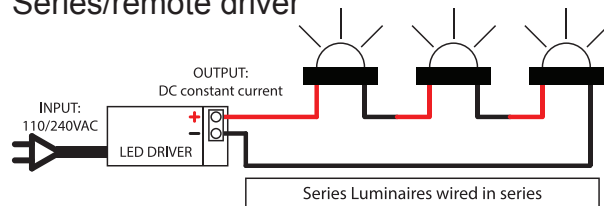
High efficiency PMMA TIR lenses. Field replaceable

IES files available for download: hunzalighting.com/downloads

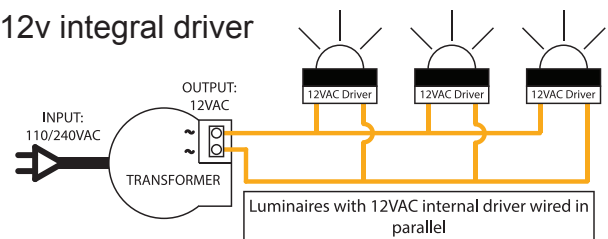


WIRING GUIDE

Series/remote driver



12v integral driver



Diagrams are a guide only, wire colours and polarity may change depending on fixture and country

Available for download: hunzalighting.com/downloads

Specifications may change without notification

Aug 2017