

## Step Lite Solid Eyelid Square

PROJECT:

TYPE:

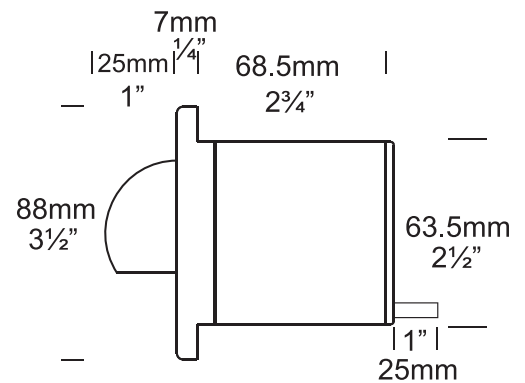
SOURCE:

NOTES:

### PURELED SPECIFICATIONS



|                            |  |
|----------------------------|--|
| <b>LED Chip</b>            | Cree XHP-50-2 Plug and Play field replaceable LED board  |
| <b>Luminaire Output</b>    | 600 Lumens @ 1050mA (6 watts),<br>420 Lumens @ 700mA (4 watts),<br>240 Lumens @ 350mA (2 watts),<br>delivered from luminaire with unobstructed beam. |
| <b>Lumens Per Watt</b>     | 100 Lumens @ 6 watts minimum,<br>delivered from luminaire with unobstructed beam   |
| <b>CRI (3000K)</b>         | 90+  |
| <b>Colour Temperatures</b> | 2700K, 3000K, 4000K  |
| <b>Beam Angles</b>         | 15, 25, 38, 60   |
| <b>Ingress Protection</b>  | IP67   |
| <b>Warranty</b>            | Electronics = 5 years<br>Body Cop/SS = 10 years<br>Body Aluminium = 5 years  |
| <b>Standards</b>           | AS/NZS 61046<br>cUL 1838, 2108<br>CSA C22.2 No.250.7, No.250.0-08<br>CE  |



### PRODUCT CONFIGURATION

Please fill in appropriate codes into boxes provided

Cat. No. SLSSQ/L

|   |                      |   |  |  |  |
|---|----------------------|---|--|--|--|
| <b>Luminaire</b>  | <b>Power</b>         | <b>Material/<br/>Finish</b>   | <b>Beam</b>  | <b>Colour</b>                                      | <b>Accessories</b>   |
| <input type="text" value="SLSSQ/L"/>  | <input type="text"/> | <input type="text"/>  | <input type="text"/>   | <input type="text"/>                               | <input type="text"/>   |
| <b>S</b> SERIES, REMOTE DRIVER<br><b>D3</b> 12VAC, 2W INTEGRAL<br><b>D7</b> 12VAC, 4W INTEGRAL<br><b>D10</b> 12VAC, 6W INTEGRAL |                      | <b>ALUMINIUM</b><br><b>EBK</b> BLACK<br><b>EBZ</b> BRONZE<br><b>EOGR</b> OLIVE GREEN<br><b>EWH</b> WHITE<br><b>EWB</b> WHITE BIRCH<br><b>EDG</b> DARK GREY<br><b>ESTAR</b> SILVER STAR<br><b>ECT</b> CORTEN<br><b>COP</b> SOLID COPPER<br><b>SS</b> STAINLESS STEEL | <b>15</b> 15°<br><b>25</b> 25°<br><b>38</b> 38°<br><b>60</b> 60° | <b>2</b> 2700K<br><b>3</b> 3000K<br><b>4</b> 4000K | <b>HCL</b> HEX CELL LOUVRE<br><b>LF</b> FROSTED LENS<br><b>CJK</b> CABLE JOINT KIT<br><b>DKCAN</b> DECK CANISTER<br><b>SLCAN</b> STEP LITE CANISTER<br><b>CANSS</b> STAINLESS STEEL CANISTER<br><b>TLTM</b> TILTING MODULE |

**SERIES, REMOTE DRIVER REQUIRED:**  
Constant current driver  
Individual fixtures require 6vdc @ 1050mA maximum

**12VAC INTEGRAL DRIVER:**  
Hunza integrated plug and play driver (included)  
Input: 9-15VAC.  
Output: 6vdc @ D3=350mA, D7=700mA, D10=1050mA (1050mA limited to ≤ 40°C (104°F) ambient temperature in stainless steel)

**OTHER LAMP OPTIONS:**

SLSSQ/H - MR16 Halogen 12V Lamp  
 SLSSQ/SL - MR16 LED Retrofit 12V Lamp (lamps vary by market - please refer to supplier for details)  
 SLSSQ/GUH - GU10 120/240V Halogen Lamp (body length increases for all GU10 lamps)  
 SLSSQ/GUSL - GU10 LED Retrofit 120/240V Lamp (lamps vary by market - please refer to supplier for details)

[Click here for halogen specification sheet](#)

[Click here for 240v Remote Power Supply Guidance Charts](#)

[Click here for USA Remote Power Supply Guidance Charts](#)

# LUMINAIRE CONSTRUCTION

**CNC machined from one of the following metals:**

**Aluminium:**

Body: high corrosion resistant 63.5mm (2<sup>1/2</sup>" ) x 10mm (3/8") aluminium.

Flange: 90mm (3<sup>1/2</sup>" ) solid aluminium rod.

End cap: solid aluminium 63.5mm (2<sup>1/2</sup>" ) rod with chromate substrate and high UV resistant polyester powder coat.

Colours:

Black, Bronze, Silver Star, White, White Birch, Olive Green, Dark Grey, Corten.

**Copper:**

Body: 63.5mm (2<sup>1/2</sup>" ) x 10mm (3/8").

Flange: 90mm (3<sup>1/2</sup>" ) solid copper rod.

End cap: solid copper 63.5mm (2<sup>1/2</sup>" ) rod.

**316 Stainless Steel:**

Body: 63.5mm (2<sup>1/2</sup>" ) x 10mm (3/8"). Flange:

90mm (3<sup>1/2</sup>" ) 316 stainless steel rod. End cap:

316 stainless steel 63.5mm (2<sup>1/2</sup>" ) rod.

**Gaskets:**

Silicone, iron impregnated 220°C (428°F)

**Step Lens:**

10mm (3/8") extra clear, low iron, flush fit, shatter resistant glass.

Lifetime warranty.

**Mounting:**

Designed to fit through a 66mm (2<sup>5/8</sup>" ) hole and be fixed into position by two screws in the flange or a Step Lite Canister (see accessories) can be used which maintains the aesthetic look of the flange by eliminating the two screw holes in the flange.

**Luminaire Weight:**

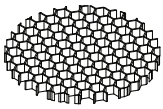
Low voltage

Alum: 0.465kg (1lb)

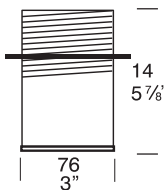
Cop: 1.340kg (2lb 15oz)

SS: 1.055 (2lb 5oz)

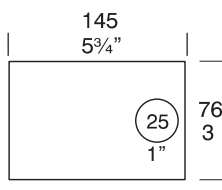
## ACCESSORIES



Hex Cell Louvre



Deck Canister

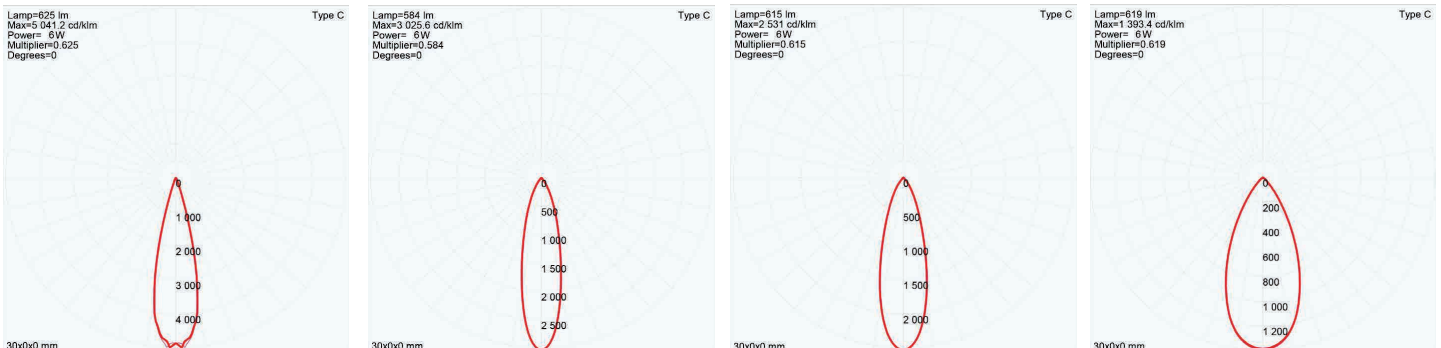


Step Lite & Stainless Steel Canister

## BEAM ANGLES

High efficiency PMMA TIR lenses. Field replaceable

IES files available for download: [hunzalighting.com/downloads](http://hunzalighting.com/downloads)



15° FWHM TIR

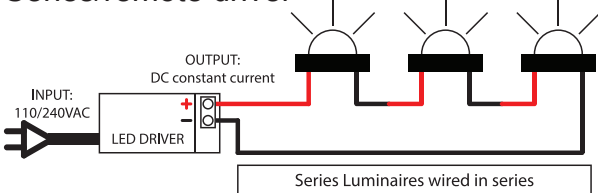
25° FWHM TIR

38° FWHM TIR

60° FWHM TIR

## WIRING GUIDE

**Series/remote driver**



Diagrams are a guide only, wire colours and polarity may change depending on fixture and country

Available for download: [hunzalighting.com/downloads](http://hunzalighting.com/downloads)

**12v integral driver**

