

Tree Mount Lite

- Cat. No. TM
- Cat. No. TMS
- Cat. No. TMGU
- Cat. No. TMSGU

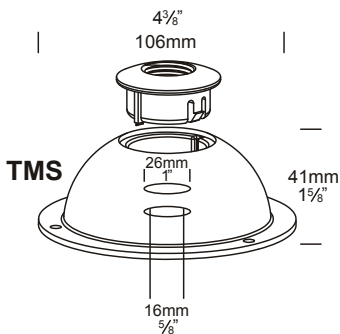
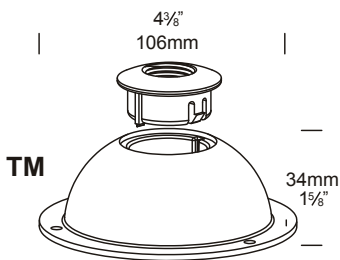
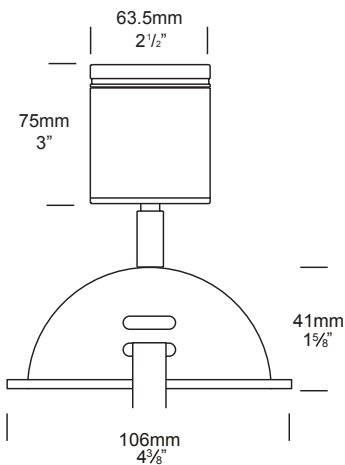


The Tree Mount Lite enables a NPS Spot to be mounted onto a tree to create moon lighting effects. A cable connection can be made at the rear of the dome. The Tree Mount Lite (Cat. TM) consists of a mounting dome and three 316 stainless steel bolts. The bolts initially fix the dome 40mm (1½") out from the tree's surface, which allows the tree to grow without causing any harm.

An alternative mounting option is the Tree Mount Lite Rubber Strap (Cat. TMS). This luminaire consists of a mounting dome and a one metre, adjustable rubber strap, which expands as the tree grows.

Both versions come with a female adaptor for NPS thread.

A GU10 version of these luminaires is also available for line voltage lamps.



Ordering Information

Luminaire Type

- TM - Tree Mount Lite
- TMS - Tree Mount Lite with Strap
- TMGU - Tree Mount Lite GU10
- TMSGU - Tree Mount Lite with Strap GU10

Material/Finish

- BK - Black
- BZ - Bronze
- CT - Corten
- DG - Dark Grey
- OG - Olive Green
- STAR - Silver Star
- WB - White Birch
- WH - White
- COP - Copper
- SS - Stainless Steel

Accessories

- CJK150 - Cable Joint Kit
- GG - Glare Guard
- HCL - Hex Cell Louvre
- LENSSTEPF - Frosted Lens

Ordering example: TM BK - Tree Mount Lite in Black
 TMS COP - Tree Mount Lite with Strap in Copper
 TMSGU - Tree Mount Lite with Strap GU10 in Stainless Steel
 LENSSTEPF - Frosted Lens (accessories ordered separately)

Luminaire Construction

CNC machined from one of the following metals:

Aluminium

High corrosion resistant aluminium with chromate substrate and high UV resistant polyester powder coat.

Body: 63.5mm (2½") x 10mm (3/8") tube.

End cap: solid aluminium 63.5mm (2½") rod.

Colours:

Black, Bronze, Corten, Dark Grey, Olive Green, Silver Star, White, White Birch.

Copper

Body: 63.5mm (2½") x 10mm (3/8") tube.

End cap: solid copper 63.5mm (2½") rod.

316 Stainless Steel

Body: 63.5mm (2½") x 10mm (3/8") tube.

End cap: solid stainless steel 63.5mm (2½") rod.

Mounting

The dome is secured to the tree with three 95mm (3¾") 316 stainless steel bolts.

The Tree Mount Strap dome is secured to the tree with the adjustable rubber strap. The strap is supplied in a one meter length and can be tightened against the tree.

Features

Dome

Molded from glass-filled polypropylene with snap in 1/2" NPS female adaptor.

Strap

1m (39") x 16mm (5/8") rubber strap. A longer strap is available for larger trees.

Lens

10mm (3/8") clear flush fit shatter resistant glass.

Lifetime Warranty.

Gasket

Silicone, iron impregnated 220°C (428°F).

Lamp Holder

MR16 & GU10 - 350°C (662°F)
ceramic multi contact lamp holder with 250°C (480°F) Teflon cables.

Accessories


Cable Joint Kit (Cat. CJK150). Not approved for USA/Canada.

Glare Guard (Cat. GG).

Hex Cell Louvre (Cat. HCL).

Frosted Lens (Cat. LENSSTEPF).

Standards

IP68, UL1838, 

Luminaire Weight

Aluminium - 0.700kg (1lb 9oz)

Copper - 1.470kg (3lb 4oz)

Stainless Steel - 1.160kg (2lb 9oz)

Power Supply

Hunza Inground or Wall Mount Transformer: not included.

USA and Canada

Hunza Wall Mount Transformer: not included.

Lamp Options

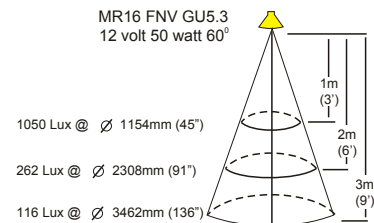
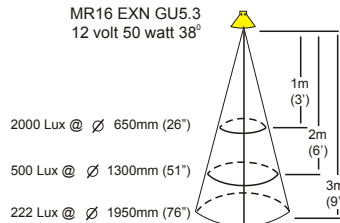
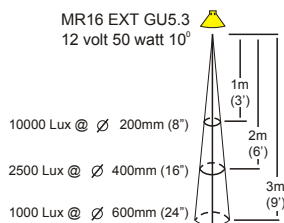
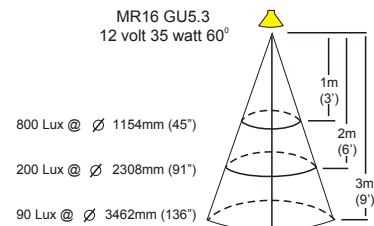
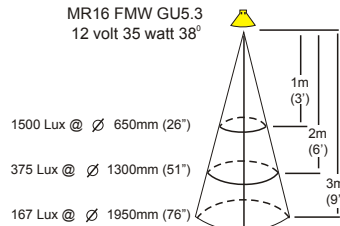
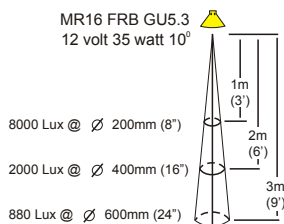
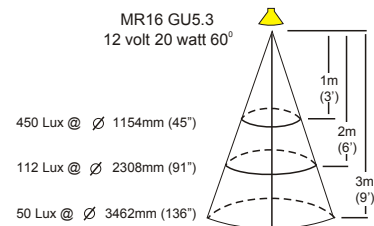
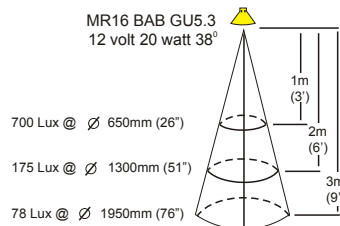
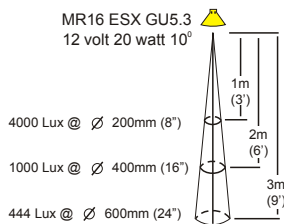
MR16 - 20 or 35 watt lamp max.

GU10 - 25 or 35 watt lamp max.

USA and Canada

MR16 - 20 watt lamp max.

GU10 - lamp not supplied.



HUNZA™ PURE
OUTDOOR
LIGHTING

HUNZA FACTORY
130 Felton Mathew Ave
Glen Innes
Auckland 1072
New Zealand

Ph: 64-9-528 9471
Fax: 64-9-528 9361
hunza@hunza.co.nz
www.hunzalighting.com

INTERNATIONAL CONTACTS:
[http://www.hunzalighting.com/
contact.php](http://www.hunzalighting.com/contact.php)
Specification may change without notice.
Manufactured in New Zealand.
© 2016 Hunza Holdings Ltd.