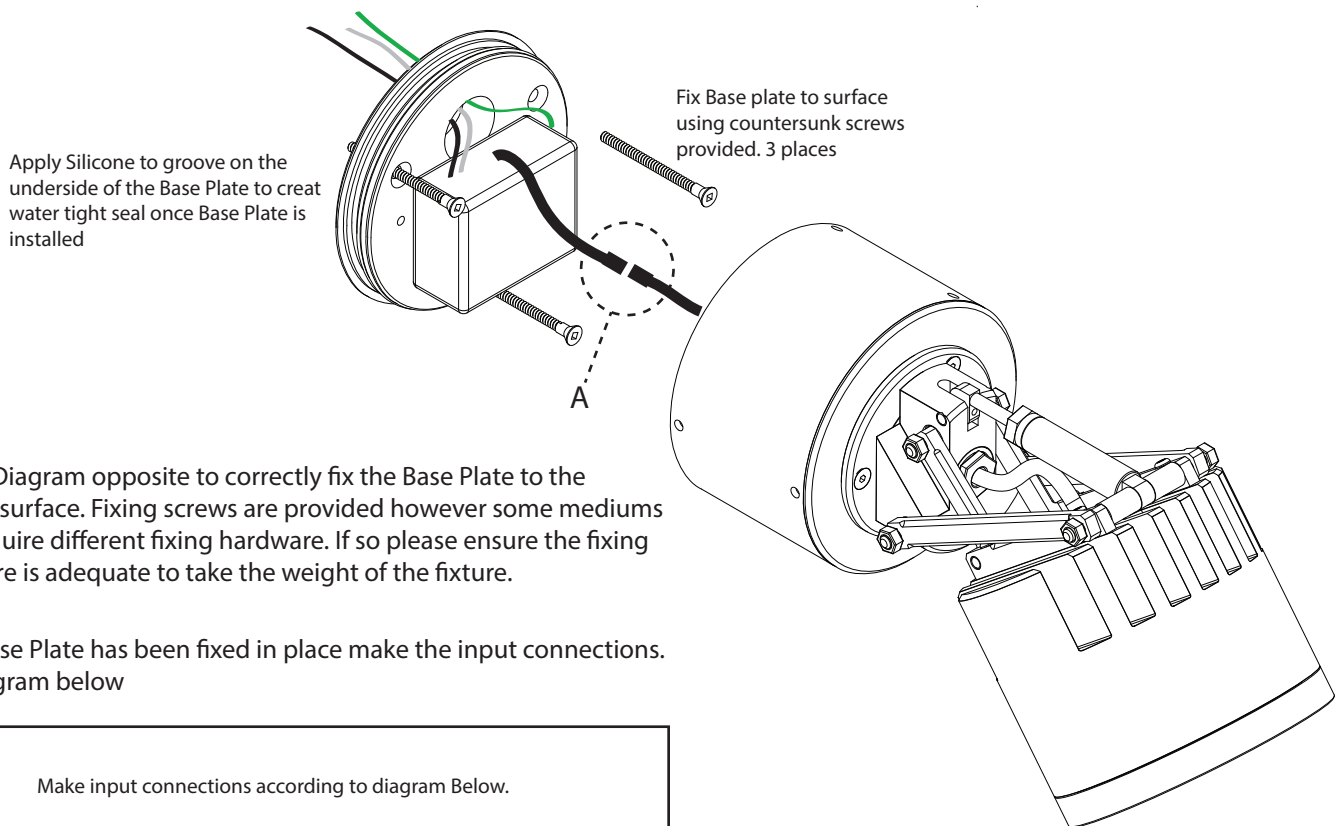


ULTRA WALL SPOT INSTALLATION INSTRUCTIONS

NOTE: THESE INSTRUCTIONS MUST NOT CONTRAVENE YOUR LOCAL ELECTRICAL AUTHORITY REGULATIONS, WITH WHICH ALL INSTRUCTIONS HERE IN MUST COMPLY. PLEASE KEEP INSTRUCTIONS FOR FUTURE REFERENCE.

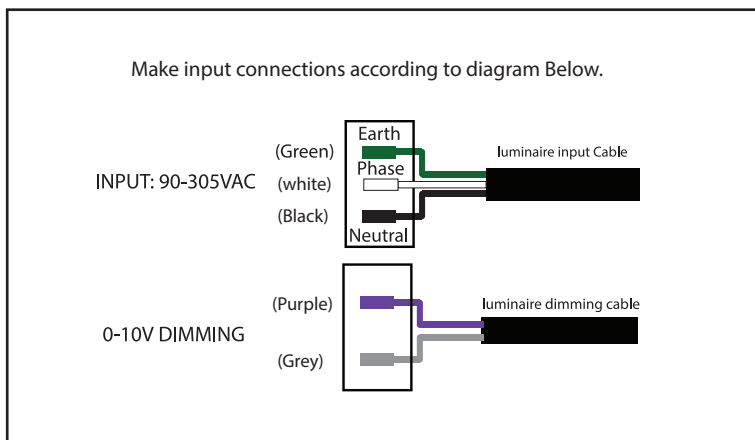
Remove the complete fixture from the packaging.
Discard packaging in an environmentally friendly way.

Remove the base plate from the fixture by undoing the three screws on the base of fixture.



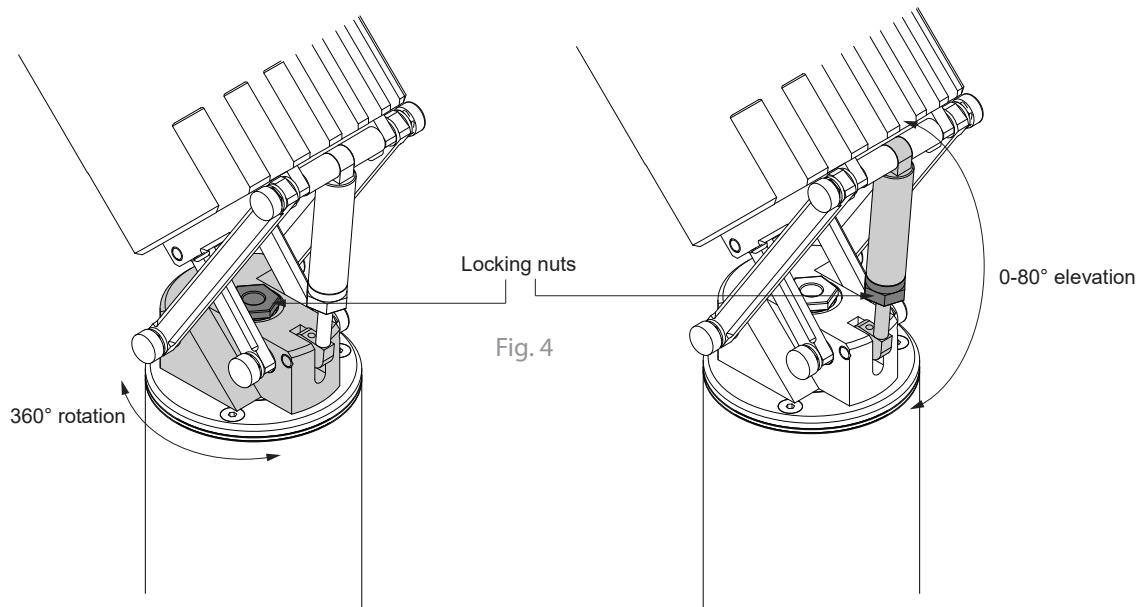
Follow Diagram opposite to correctly fix the Base Plate to the desired surface. Fixing screws are provided however some mediums may require different fixing hardware. If so please ensure the fixing hardware is adequate to take the weight of the fixture.

After Base Plate has been fixed in place make the input connections. See diagram below



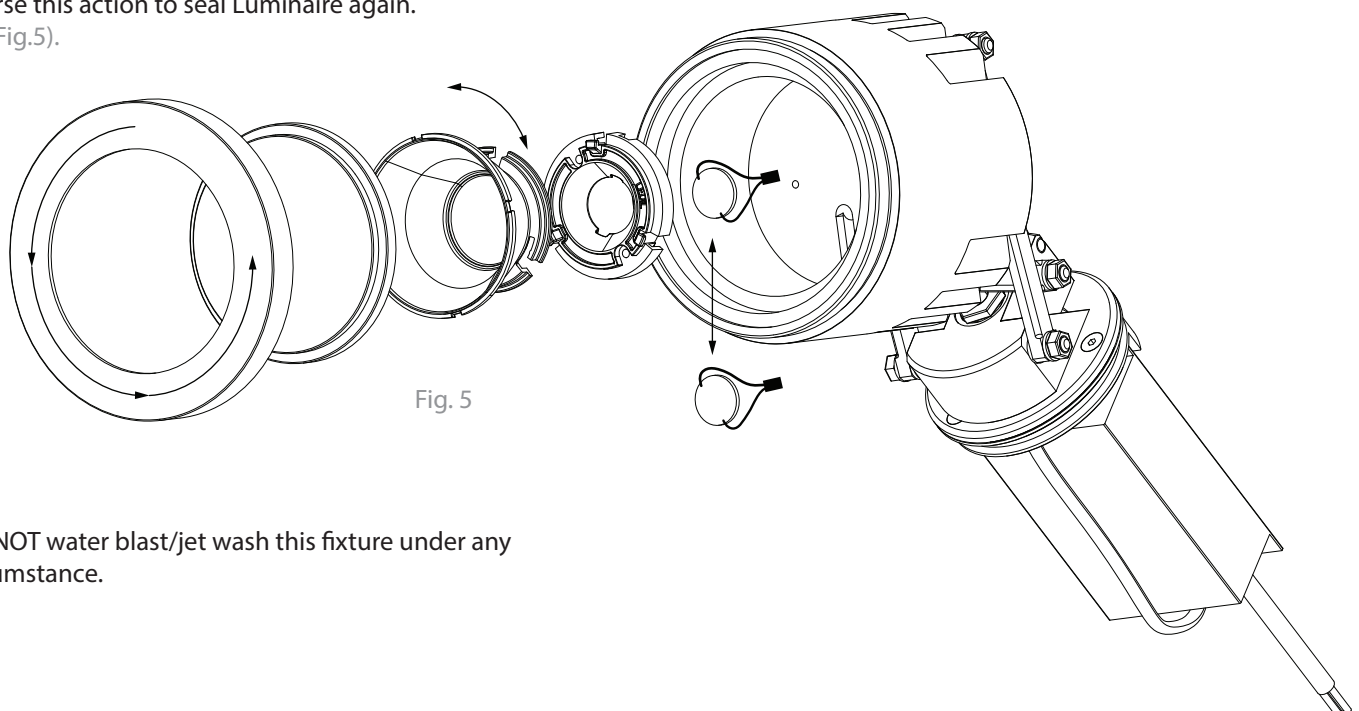
Once Wall preparations and input connections are completed. Plug driver output cable into fixture input cable (see point A on diagram). Now slide the base and head over base plate. Once in position fix in place using the three grub screws.

Rotate head to desired position. Adjust head to desired angle. Tighten to seal and Lock mechanism into position with nuts indicated. (See Fig.4).



To replace LED chip: Unscrew lens Ring. Remove Lens and Reflector (bayonet Style lock). Unscrew Reflector Holder from Ultra Head. The chip can now be unplugged and replaced.

Reverse this action to seal Luminaire again. (See Fig.5).



DO NOT water blast/jet wash this fixture under any circumstance.