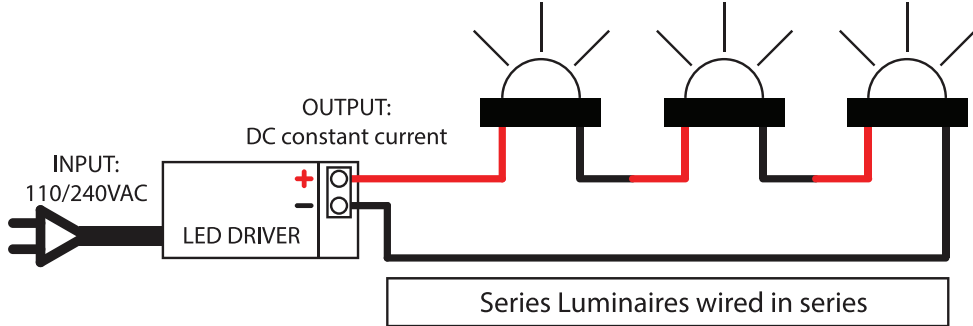


# Basic Wiring Guide

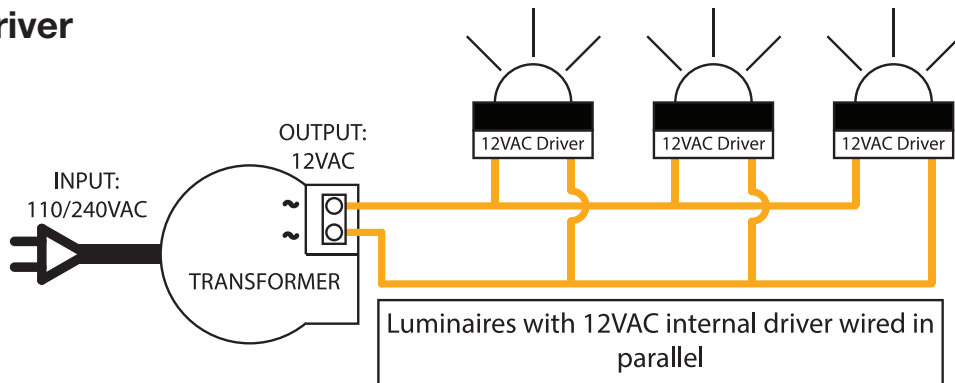
Select the appropriate wiring scheme to match the input requirements of the Hunza fitting you are installing.

**Please Note:** Diagrams are a guide only, wire colours and polarity may change depending on fixture and country.

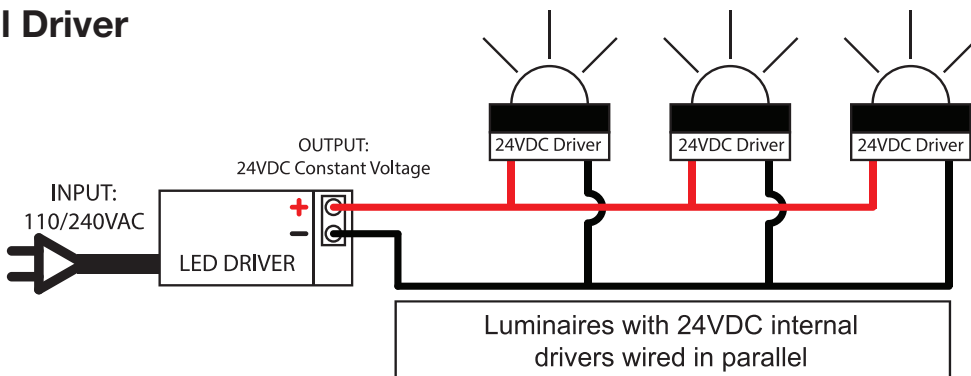
## Series/Remote Driver



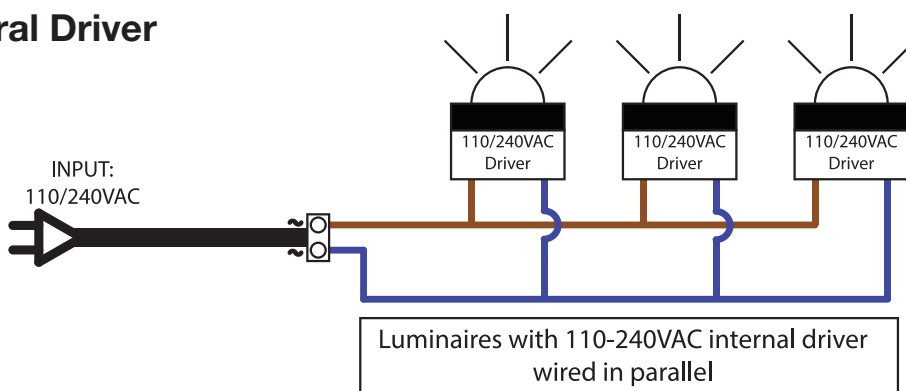
## 12V Integral Driver



## 24VDC Integral Driver



## 110/240V Integral Driver



Nov 2021 V1