

HUNZA PURE LED DOWN LITE CEILING MOUNT LUMINAIRES

PLEASE RETAIN THE SWING TAG ATTACHED TO THE FIXTURE FOR FUTURE REFERENCE.

INSTALLATION INSTRUCTIONS

NOTE: THESE INSTRUCTIONS MUST NOT CONTRAVENE YOUR LOCAL ELECTRICAL AUTHORITY REGULATIONS, WITH WHICH ALL INSTALLATIONS HERE IN MUST COMPLY. PLEASE KEEP INSTRUCTIONS FOR FUTURE REFERENCE MUST BE INSTALLED BY A LICENCED ELECTRICIAN

Take care to place luminaire in a suitably safe position due to operating temperature of luminaire.

Remove stainless steel grub screws and detach end cap. Apply silicon around the 25mm hole in the bottom of the end cap and mount end cap to ceiling using stainless steel screws provided. Connect luminaire to the low voltage cable. Secure the luminaire to the end cap using the stainless steel grub screws provided.

Recommendation:

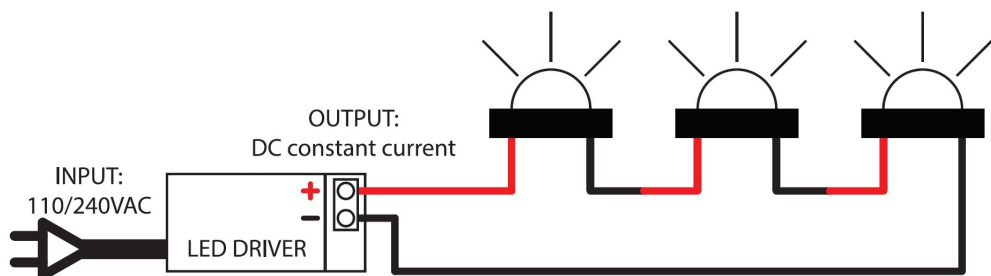
Run all low voltage cables in flexible conduit for extra protection.

Important:

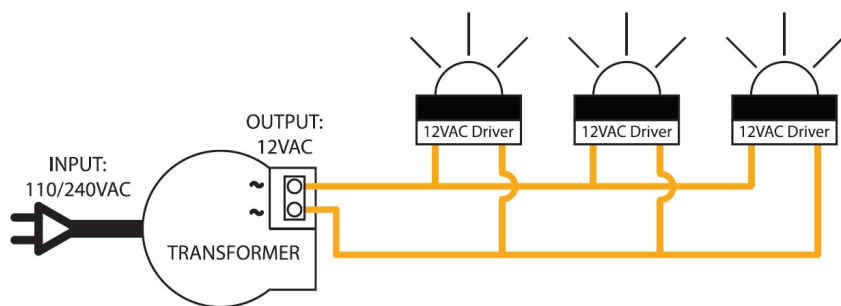
Note : If not using a HUNZA™ driver - you must select a suitable constant-current driver. Decide what output is required in mA (350, 700, 1000), the LED requires a forward voltage of 6 vdc. See series wiring diagram below.

Note: If fitted with a Hunza 12vac driver, this fixture should be connected to a suitable 12vac transformer and wired in parallel as shown below.

Remote Driver. Fixture wired in Series



Remote Transformer. Fixture with Internal 12VAC Driver Wired in Parallel



Warning:

DO NOT disconnect the LED luminaire from secondary side of the the driver connected to the mains. Switch off mains **FIRST** then disconnect luminaire from the output side of the driver.

DO NOT connect in close proximity to inductive loads. eg. air conditioning systems, water pumps etc. without appropriate mains filtering. Use a suppression interface module for every six luminaires connected to the circuit.

DO NOT carry out a Megger or insulation test on a circuit with a luminaire connected to it.

DO NOT connect to a Clipsal C-Bus2, or any other home automation System type without using a suppression interface module.

DO NOT water blast/jet wash this fixture under any circumstances.

NOTE: Due to the nature of electronics, the ambient temperature of the installation location must be considered carefully as the luminaire may not operate reliably at temperatures below -8°C (18°F)

LED CHANGING

CAUTION: Make sure that the power to the luminaire is switched off before attempting to change the LED board. Unscrew lens ring from front of the fixture. Unscrew the two allen head screws using a 2.5mm allen key. Replace board with new Hunza LED board and re-fit the allen head screws to hold the LED board in place, taking care not to touch or alter the LED diode. Replace front lens ring, lens and gasket.

Stainless Steel Maintenance: To maintain the finish of 316 stainless steel it is recommended to wash the luminaire with fresh water from time to time to stop salt and corrosive elements building up. If tea staining appears, a commercially available stainless steel cleaner is recommended to remove this. Electro polishing is recommended in this situation but the fitting will still require regular maintenance. Even an electro polished stainless steel fixture under an eave or roof will suffer from the build up of salt deposits as it will not be washed away by rain.