

## Down Lite High Power PURE LED

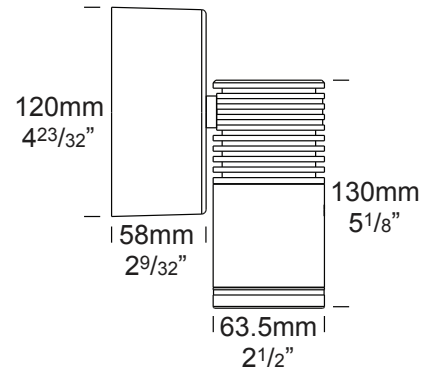
PROJECT:
TYPE:
SOURCE:
NOTES:

### SPECIFICATIONS



<b>LED Chip</b>	Cree CXA1512 Plug and Play field replaceable LED board
<b>Luminaire Output</b>	1200 Lumens @ 700mA delivered from luminaire with unobstructed beam.
<b>Lumens Per Watt</b>	100 Lumens minimum @ 12 watts, delivered from luminaire with unobstructed beam
<b>CRI (3000K)</b>	85+ Standard, 90+ Optional
<b>Colour Temperatures</b>	2700K, 3000K, 4000K
<b>Beam Angles</b>	15, 30, 40
<b>Ingress Protection</b>	IP66

<b>Warranty</b>	Electronics = 5 years Body Aluminium = 5 years
<b>Standards</b>	AS/NZS 61046, EN60598 cUL 1838, 2108, 1598 CSA C22.2 No. 250.7, No. 250.0-08, No. 250.0 CE



### PRODUCT CONFIGURATION

Please fill in appropriate codes into boxes provided

Cat. No. DL/HP

Luminaire	Power	Material/Finish	Beam	Colour	Accessories
DL/HP					
<b>SR</b> SERIES REMOTE DRIVER <b>R</b> RETRO, 110/240V DRIVER <b>D24</b> 24VDC DRIVER		<b>ALUMINIUM</b> <b>EBK</b> BLACK <b>EBZ</b> BRONZE <b>EOGR</b> OLIVE GREEN <b>EWH</b> WHITE <b>EWB</b> WHITE BIRCH <b>EDG</b> DARK GREY <b>ESTAR</b> SILVER STAR <b>ECT</b> CORTEN	<b>15</b> 15° <b>30</b> 30° <b>40</b> 40°	<b>2</b> 2700K <b>3</b> 3000K <b>4</b> 4000K <b>39</b> 3000K, 90+ CRI	<b>HCL</b> HEX CELL LOUVRE <b>SNT</b> SNOOT <b>GG</b> GLARE GUARD <b>LF</b> FROSTED LENS <b>CJK</b> CABLE JOINT KIT
<b>SERIESREMOTE DRIVER:</b> Constant current driver (included) individual fixtures require 18vdc @ 700mA maximum  <b>110/240VAC RETRO DRIVER:</b> Input: 90/305vac, 13 watt total (driver included) Output: 18vdc, 700mA 0-10 volt dimming (USA - non dimming)  <b>24VDC DRIVER:</b> Input: 24vdc Output: 18vdc @ 700mA constant current					
<b>ADDITIONAL COMMENTS:</b>					

# LUMINAIRE CONSTRUCTION

**CNC machined from one of the following metals:**

**Aluminium:**

Body: high corrosion resistant 63.5mm solid aluminium tube with chromate substrate and high UV resistant polyester "E" powder coat.

**Colours:**

Black, Bronze, Silver Star, White, White Birch, Olive Green, Dark Grey, Corten.

**Lens:**

10mm (3/8") Extra clear, low iron, shatter resistant glass.  
Lifetime warranty.

**Gaskets:**

Silicone, iron impregnated 220°C (428°F)

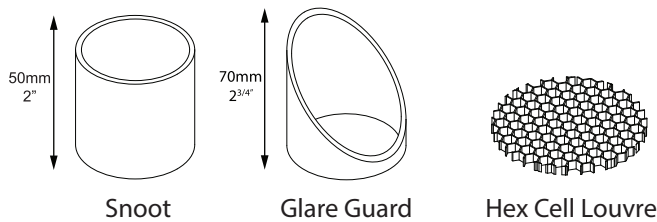
**Mounting:**

A mounting plate is fixed to the wall using two screws and the luminaire is fitted to the mounting plate.

**Luminaire Weight:**

Low voltage:  
Alum: 0.870 (1lb 15oz)

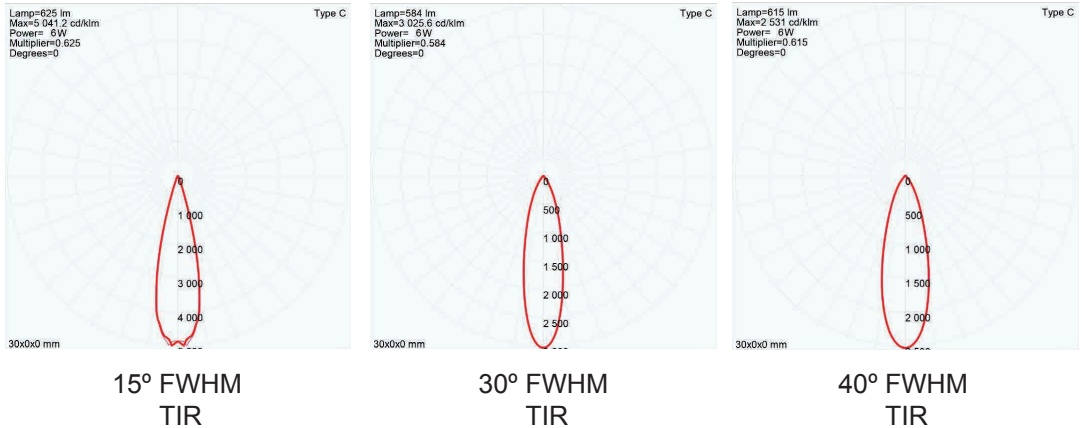
## ACCESSORIES



## BEAM ANGLES

High efficiency PMMA TIR lenses. Field replaceable

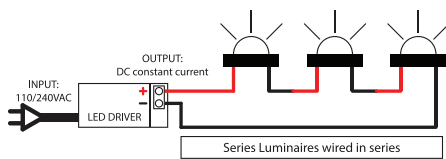
IES files available for download: [hunzalighting.com/downloads](http://hunzalighting.com/downloads)



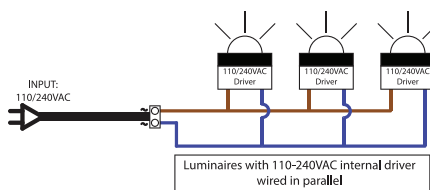
## WIRING GUIDE

Available for download: [hunzalighting.com/downloads](http://hunzalighting.com/downloads)

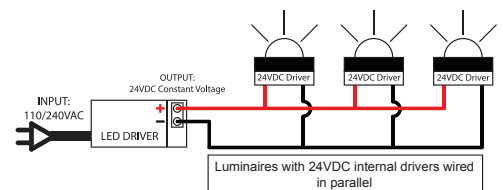
**Series/remote driver**



**110/240v integral driver**



**24vdc integral driver**



Diagrams are a guide only, wire colours and polarity may change depending on fixture and country

Specifications may change without notification Aug 2017