

Material Maintenance

DO NOT use bleach, concentrated cleaners, or solvents under any circumstances.

DO NOT water blast/pressure blast fixtures

DO NOT use abrasive compounds.

316 Stainless Steel: To maintain the finish of 316 stainless steel it is recommended to wash the luminaire with fresh water from time to time to stop salt and corrosive elements building up. If tea staining appears, a commercially available stainless steel cleaner is recommended to remove this.

Electro Polishes still require regular maintenance. Even an electro polished stainless steel fixture under an eave or roof will suffer from the build up of salt deposits as it will not be washed away by rain.

DO NOT use polishing compounds.

Component Replacement

CAUTION: Make sure that the power to the luminaire is switched off before attempting to change the LED. When replacing the gasket, lens, Lamp or LED make sure there is no dirt or grit on the gasket. Dirt or grit on the gasket may cause luminaire to leak.

LED Replacement (Please pay close attention to the component order):

Place lens on top of lamp and put orange gasket on top of lens. Screw on lens ring.

Reverse action to seal making sure components are replaced in the correct order. Incorrect order, can lead to failure of LED and/or leaking.

Lamp Changing Sequence (MR16)

Beware of hot luminaire and lamp. Make absolutely sure when changing lamps that the correct wattage lamp is installed. Incorrect wattage lamps may cause HUNZA™ IG series transformers to overload causing the transformers to heat up and turn the luminaires off and on.

Only use MR16 lamps where the glass cover sits below the lip of the lamp. Unscrew flange, remove gasket and lens. Pull lamp forward until the ceramic lamp holder appears. Hold lamp holder in one hand and remove lamp with other hand very carefully. Do not touch the glass capsule in the middle of the reflector when pushing the lamp back into the ceramic lamp holder. When replacing gasket and lens, make sure there is no dirt or grit on the gasket. Dirt or grit on the gasket may cause luminaire to leak.

HUNZA™
PURE OUTDOOR LIGHTING

HUNZA LIGHTING LTD

130 Felton Mathew Ave

Saint Johns

Auckland 1072

New Zealand

This document contains proprietary information of Hunza™. Its receipt or possession does not convey any rights to reproduce or disclose its content.

Ph: +64-9-528 9471

Fax: +64-9-528 9471

E: hunza@hunza.co.nz



Hunza™ fixtures are available from specialist outdoor lighting distributors. **Specifications, Installation, IES, CAD & Guides** are available online:

www.hunzalighting.com

HUNZA™
PURE OUTDOOR LIGHTING

POND LIGHT | POND LIGHT WEIGHTED BASE

INSTALLATION INSTRUCTIONS

USA/UK/AU/NZ



CE
UL
LISTED
UL1838 IP68

IMPORTANT! TO MEET HUNZA'S BLACK LABEL WARRANTY, PLEASE READ BEFORE INSTALLING THE FIXTURE.

PLEASE NOTE: THESE INSTRUCTIONS MUST NOT CONTRAVENE YOUR LOCAL ELECTRICAL AUTHORITY REGULATIONS, WITH WHICH ALL INSTRUCTIONS HERE IN MUST COMPLY. PLEASE KEEP INSTRUCTIONS FOR FUTURE REFERENCE.

WARNING: DO NOT connect the secondary side (output) of a live driver to the fixture, this will cause a spike in voltage that can damage the LED. When connecting or disconnecting the fitting always insure the 120/240V power supply is disconnected.

WARNING: When using a photocell and/or timer we recommend using devices with relay outputs as opposed to electronic. The high frequency of electronic devices can lead to failure of the LED driver.

WARNING: If the mounting surface is to be "acid washed" the fixtures must be removed prior to the process to avoid damage to the fixture and its fittings.

WATERPROOFING FIXTURES: Ensure the fixture is fixed in place and ensure a waterproof seal is made between the fixture and surface. Ensure that installation on exteriors meets local authority regulations.

WATERPROOFING CONNECTIONS:

Make sure to waterproof connections to the luminaire, input cables and/or dimming cable. A NON WATERPROOF CONNECTION WILL ALLOW WATER TO INGRESS INTO POWER SUPPLY AND/OR FIXTURE HEAD WHICH CAN LEAD TO FAILURE.



*T&C's apply. See website for details:
hunzalighting.com/warranty

Installation

Surface Mounted

Be sure when mounting the Pond Light that any holes drilled in the pond do not perforate any waterproofing membrane which may cause leaks. Use the stainless steel screw and rawlplug supplied to mount the fitting.

Weighted Base

If drilling holes are not appropriate then use a Pond Light POND/W/L weighted version. No screws are required for fixing, therefore no leaks.

Wiring

The Pond Lite is supplied with a 3 metre cable which must be terminated using heavy walled adhesive lined heat shrink outside the pond.

Recommendations: Run all low voltage cables in flexible conduit for extra protection. Use Hunza Cable Joint Kit CJK#15. Heavy Duty Cable Boots available for additional ingress protection.

Glare Guard Installation

Carefully remove lens ring making sure not to drop the glass lens and cause damage to it, keeping gasket in place. Hold body of luminaire tightly and screw Glare Guard ring onto luminaire. Still holding body of luminaire tightly rotate glare guard to desired position.

PLEASE NOTE - Pool Chemicals, hard water or salt water may damage the powder coated finish. Stainless steel fittings should be used in these situations instead of Aluminium.

DO NOT connect in close proximity to inductive loads (air conditioning systems, water pumps etc) without appropriate mains filtering. Use a suppression interface module for every six luminaires connected to the circuit.

DO NOT carry out a Megger or insulation test on a circuit with a RETRO™ luminaires connected to it.

DO NOT mount on a horizontal surface where water may collect or pool.

DO NOT connect to any Electronic Home System without checking with the manufacturer that it is suitable to control the HUNZA™ luminaire.

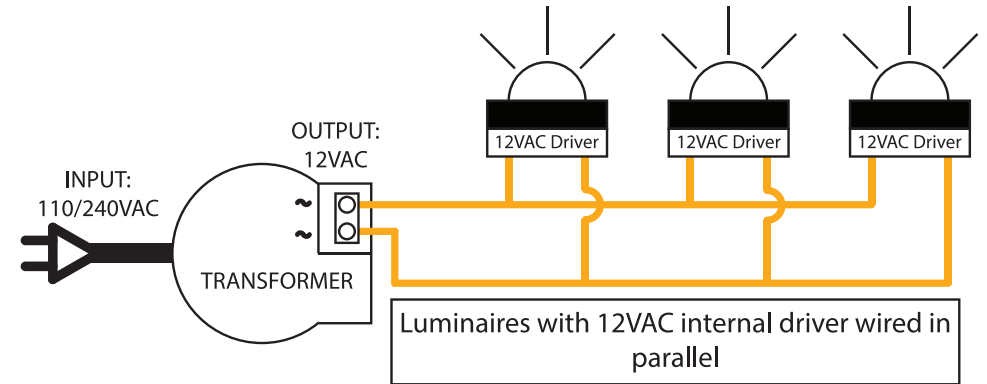
DO NOT use the copper fixtures in fish pond!

Wiring Guide

Make water proof connections using heavy walled adhesive lined heat shrink (Refer to wiring guide below).

12VAC Connections

Make input connections according to diagram below.



24VDC Connections

Make input connections according to diagram below.

