

HANGING LITE PURE LED LUMINAIRES

INSTALLATION INSTRUCTIONS

NOTE: THESE INSTRUCTIONS MUST NOT CONTRAVENE YOUR LOCAL ELECTRICAL AUTHORITY REGULATIONS, WITH WHICH ALL INSTALLATIONS HERE IN MUST COMPLY. PLEASE KEEP INSTRUCTIONS FOR FUTURE REFERENCE.

STAINLESS STEEL MAINTENANCE

To maintain the finish of 316 stainless steel it is recommended to wash the luminaire with fresh water from time to time to stop salt and corrosive elements building up. If tea staining appears, a commercially available stainless steel cleaner is recommended to remove this. Electro polishing is recommended in this situation but the fitting will still require regular maintenance. Even an electro polished stainless steel fixture under an eave or roof will suffer from the build up of salt deposits as it will not be washed away by rain.

LED CHANGING

CAUTION: Make sure that the power to the luminaire is switched off before attempting to change the LED.

LED Changing Sequence

When replacing gasket and lens, make sure there is no dirt or grit on the gasket. Dirt or grit on the gasket may cause luminaire to leak.

Gasket and lens sequence

Place lens on top of lamp and put orange gasket on top of lens. Screw on lens ring.

Recommendation:

Run all low voltage cables in flexible conduit for extra protection. Use Hunza Cable Joint Kit CJK#150. It is recommended that high quality lamps are used when replacing lamps. Do not over tighten lens ring as this will make removal difficult and may cause lamp to break.

GLARE GUARD INSTALLATION

Carefully remove lens ring making sure not to drop the glass lens and cause damage to it, keeping gasket in place. Hold body of luminaire tightly and screw Glare Guard ring onto light luminaire. Still holding body of luminaire tightly rotate glare guard to desired position.

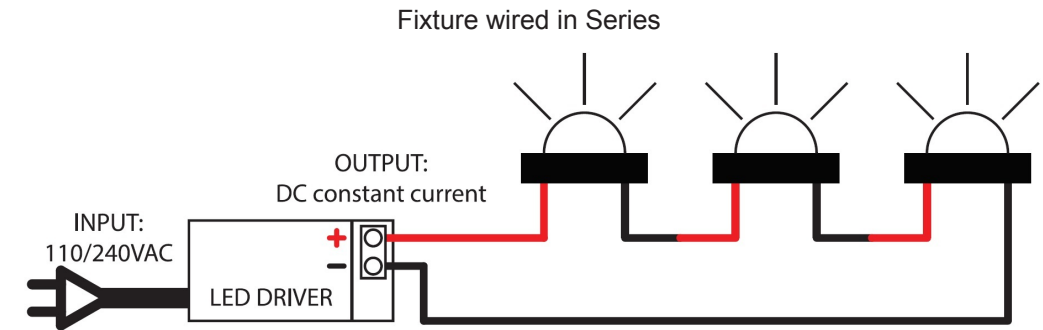
Note: If not using a HUNZA™ driver - you must select a suitable constant-current driver. Decide what output is required in mA (350, 700, 1000), the LED requires a forward voltage of 6 vdc.

Warning: Do not disconnect the LED luminaire from secondary side of the the driver connected to the mains. Switch off mains FIRST then disconnect luminaire from the output side of the driver. Do not water blast/jet wash this fixture under any circumstances.

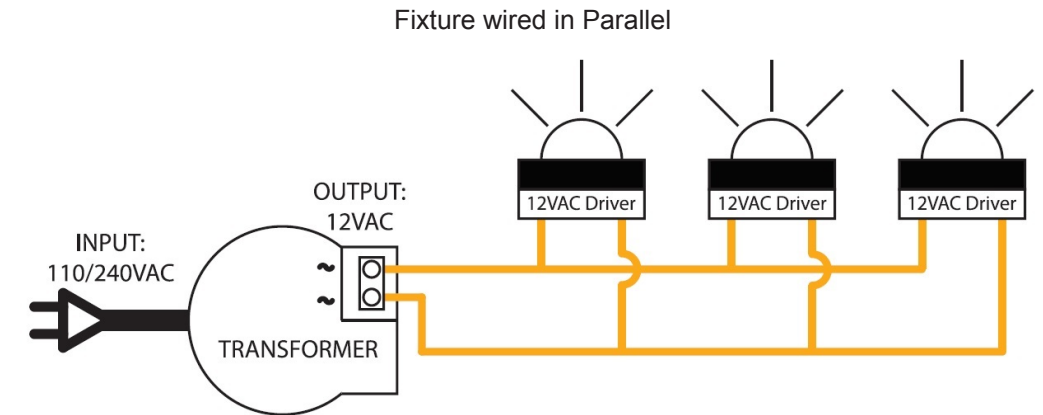
HANGING LITE PURE LED LUMINAIRES

INSTALLATION INSTRUCTIONS

NOTE: THESE INSTRUCTIONS MUST NOT CONTRAVENE YOUR LOCAL ELECTRICAL AUTHORITY REGULATIONS, WITH WHICH ALL INSTALLATIONS HERE IN MUST COMPLY. PLEASE KEEP INSTRUCTIONS FOR FUTURE REFERENCE.



Cable colours may vary



Cable colours may vary