

## ULTRA 35 Liquid Beam™ Wall Spot/Spot

## INSTALLATION INSTRUCTIONS UK/AU/NZ

### Important! Please read before installing the Fixture

**Warning:** Do not connect secondary side (output) of a live driver to the Fixture. This will cause a spike in voltage that can damage the LED. When connecting or disconnecting the fitting always insure the 120/240V power supply is disconnected.

**Warning:** When using a photocell and/or timer we recommend using devices with relay outputs as opposed to electronic. The high frequency of electronic devices can lead to failure of the LED driver.

Follow diagram opposite to correctly fix the Base Plate to the desired surface.

Fixing screws are provided however some mediums may require different fixing hardware. If so, please ensure the fixing hardware is adequate to take the weight of the fixture.

After the Base Plate has been fixed in place, make the input connections.

**Make sure to waterproof connections to the luminaire input cable and/or dimming cable. A non waterproof connection will allow water to ingress into power supply and/or fixture head which can lead to failure.**

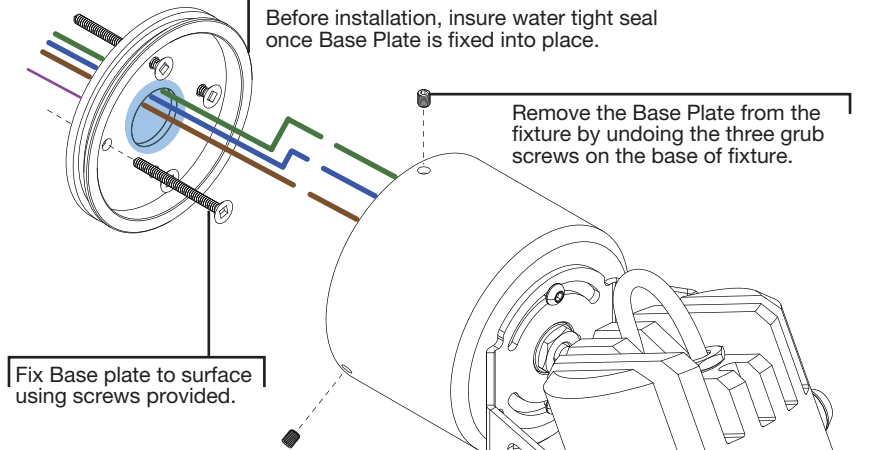
See diagrams below for correct wiring.

### Wall Spot

Apply Silicone to groove on the underside of the Base Plate

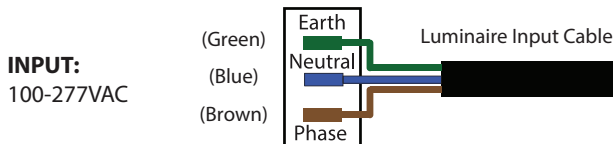
Apply Silicone into the Base Plate hole/center

Before installation, insure water tight seal once Base Plate is fixed into place.



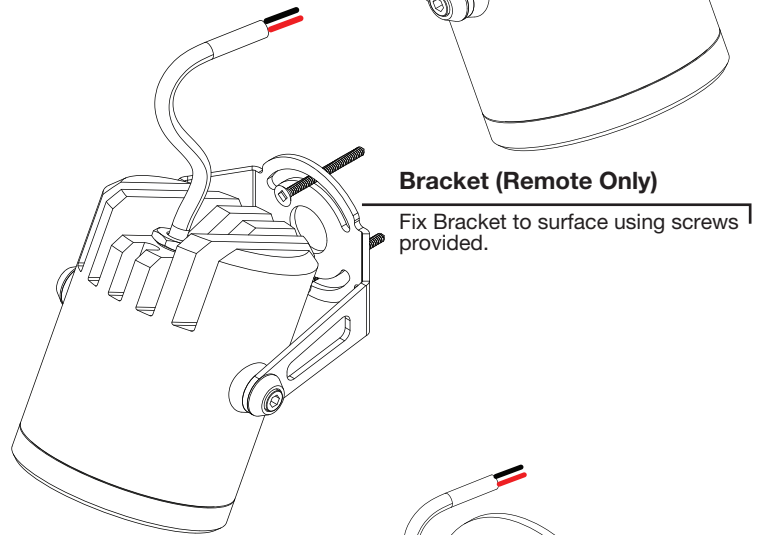
### 120/240V (RETRO) CONNECTIONS

Make input connections according to diagram below.



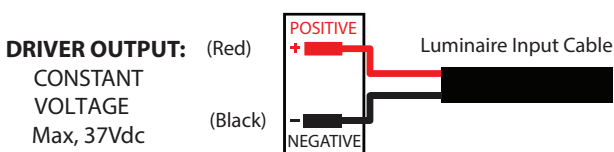
### Bracket (Remote Only)

Fix Bracket to surface using screws provided.



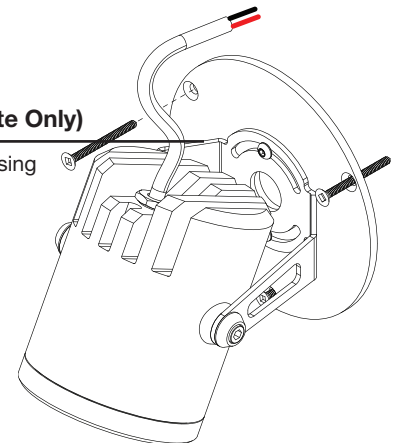
### REMOTE DRIVEN CONNECTIONS

Make input connections according to diagram below.



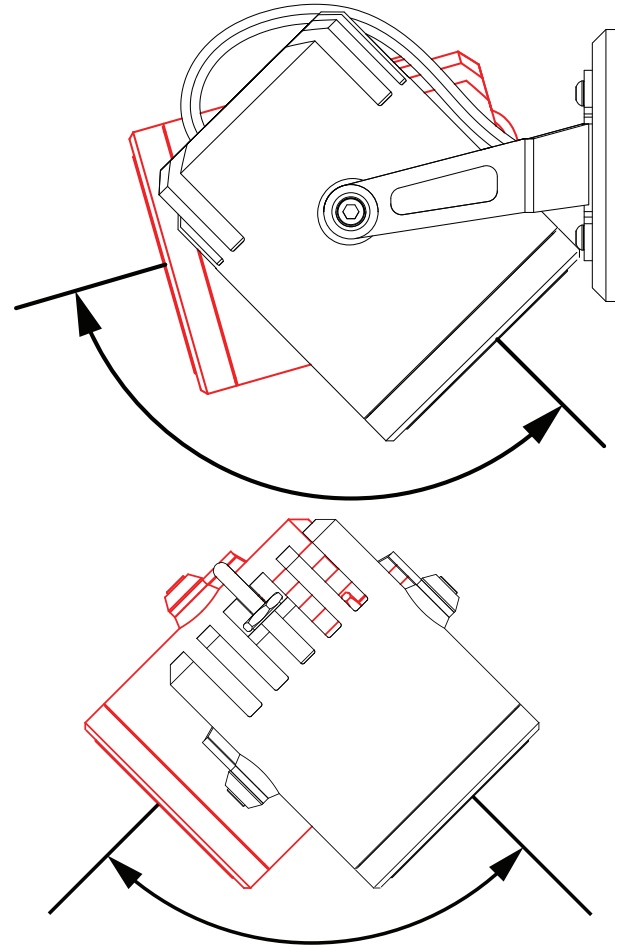
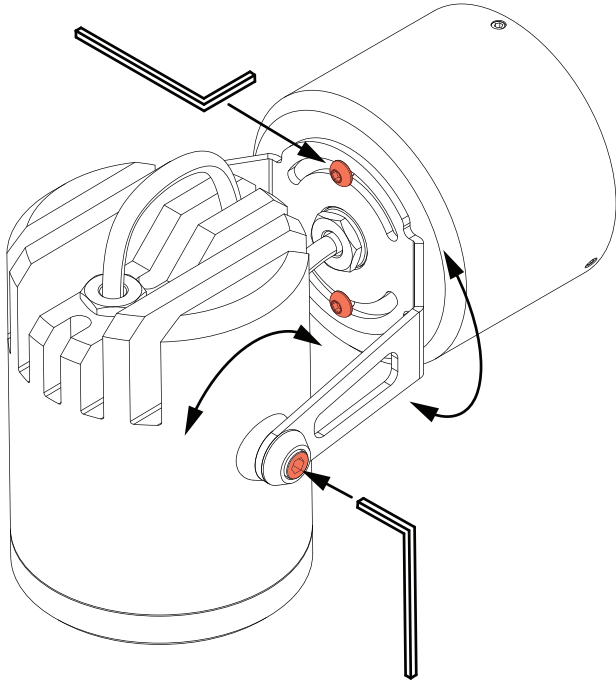
### with Wall Plate (Remote Only)

Fix Wall Plate to surface using screws provided.



Oct 2021 V1

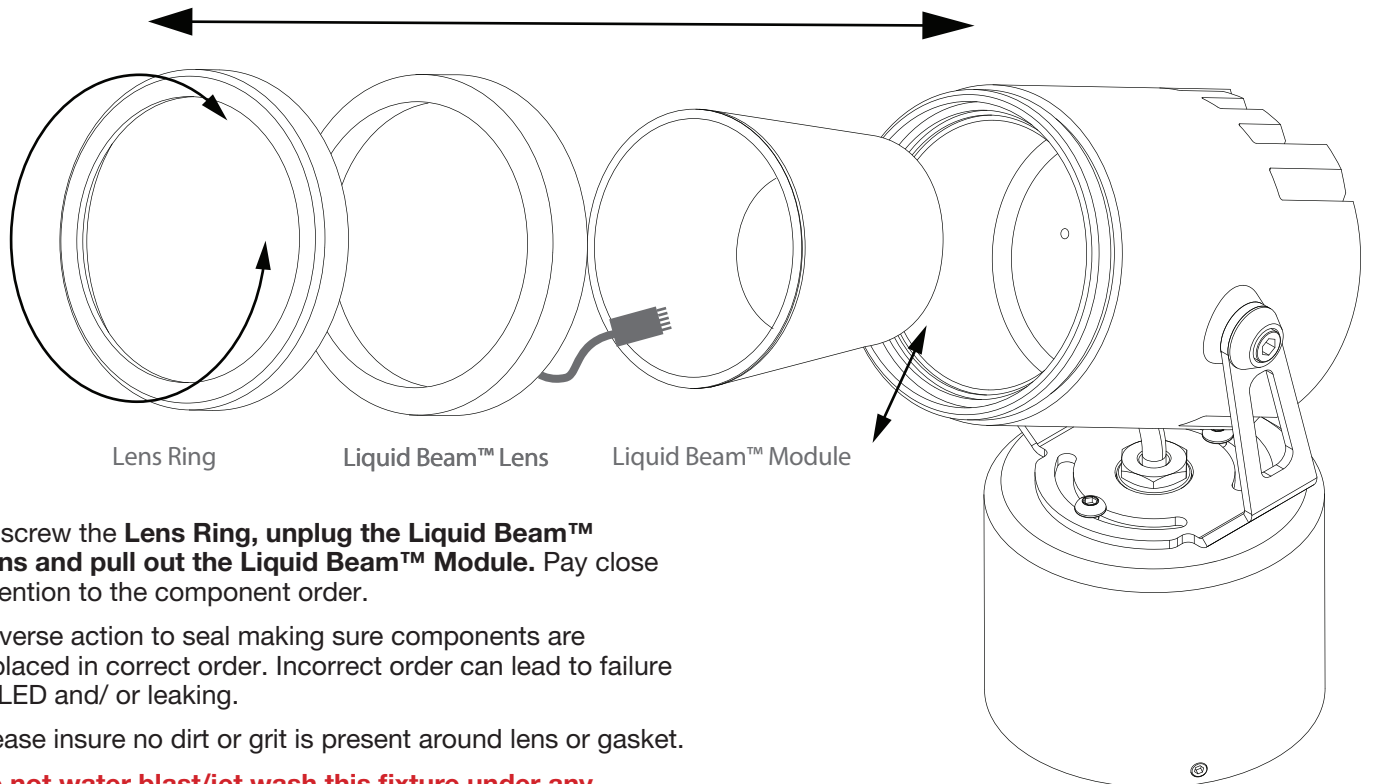
UK/AU/NZ



### ADJUSTING THE HEAD POSITION

Use Hex (allen) key provided to loosen indicated screws to adjust rotation and head angle. Once a desired positioning is achieved tighten screws to lock in place.

### ACCESSING THE LIQUID BEAM™ MODULE



Unscrew the **Lens Ring**, unplug the **Liquid Beam™ Lens** and pull out the **Liquid Beam™ Module**. Pay close attention to the component order.

Reverse action to seal making sure components are replaced in correct order. Incorrect order can lead to failure of LED and/ or leaking.

Please insure no dirt or grit is present around lens or gasket.

**Do not water blast/jet wash this fixture under any circumstance**