

## ST100 SAFE TOUCH

PROJECT:

TYPE:

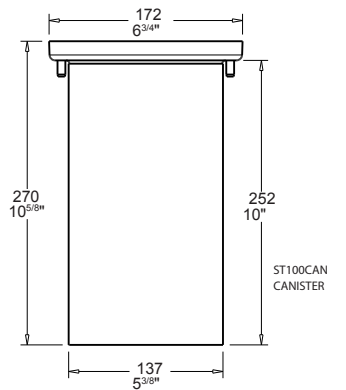
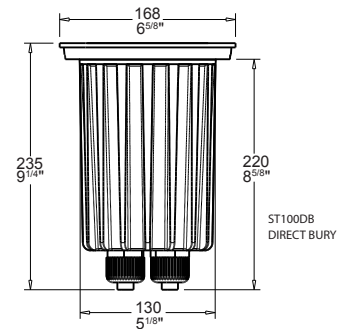
SOURCE:

NOTES:

### SPECIFICATIONS

**IK10** **IP67** **CE** **UL** **US LISTED**

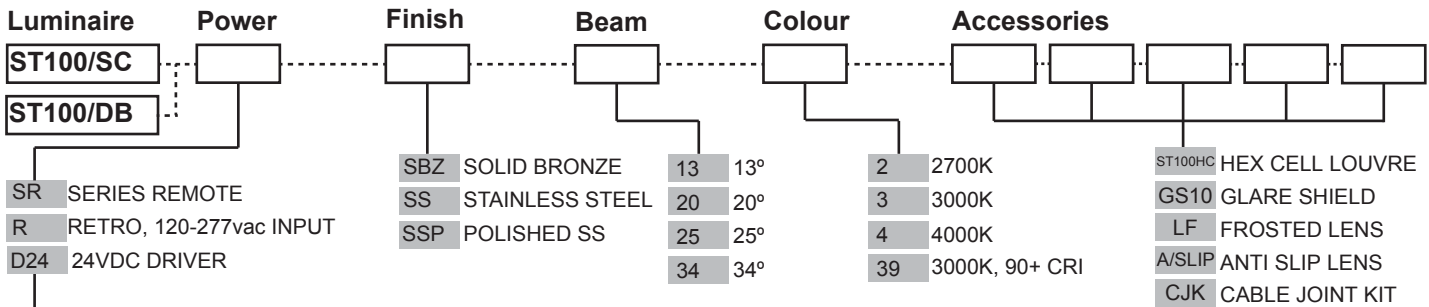
<b>LED Chip</b>	Cree CXA 1830 field replaceable LED board
<b>Luminaire Output</b>	2700 Lumens @ 700mA (26 watts) , Delivered from Luminaire with unobstructed beam.
<b>Lumens Per Watt</b>	100 Lumens minimum @ 26 watts, Delivered from Luminaire with unobstructed beam
<b>CRI (3000K)</b>	80 Standard, 90+ Optional
<b>Colour Temperatures</b>	2700K, 3000K, 4000K
<b>Beam Angles</b>	13, 20, 25, 34
<b>Ingress Protection</b>	IP67
<b>Warranty</b>	Electronics = 5 years Body Aluminium = 5 years
<b>Standards</b>	BS/EN 60598.2.2 cUL 1598, CSA C22.2 No. 250.0 CE



### PRODUCT CONFIGURATION

Please fill in appropriate codes into boxes provided

Cat. No. ST100



**SERIES REMOTE:**  
Constant current remote mounted driver (included) □  
Fixture require 37vdc @ 700mA maximum

**RETRO**  
**110-277vac DRIVER:**  
Constant current driver (included)  
Input: 120,240,277 volts □  
Output: 30 watts total  
37vdc @ 700mA  
0-10 volt dimming

**24VDC DRIVER:**  
Input: 24vdc  
Output: 36vdc @ 700mA  
constant current non dimming

ADDITIONAL COMMENTS:

# LUMINAIRE CONSTRUCTION

## CNC machined or cast from one of the following metals:

Body - Cast from virgin high corrosion resistant, low copper content (0.001%) aluminium alloy. Finished with chromate substrate, Epoxy layer and a UV resistant polyester powder coat colour.  
Colour - Black.

Flanges - Machined from either Solid Bronze 260mm x 6mm (10<sup>1/4</sup>" x 1/4")  
316 Stainless Steel 260mm x 6mm (10<sup>1/4</sup>" x 1/4")

All fixings are made from 316 Stainless Steel

## Step Lens:

12mm (1/2") Extra clear, low iron, shatter resistant glass. Anti Slip option available. Lifetime warranty

## Gaskets:

Silicone, iron impregnated 220°C (428°F)

## Cable:

Water resistant rubber

## Adjustability:

The gimbal is fully adjustable, allowing 360° rotation and 0-20° elevation.

## Mounting:

The ST100 is available with a 316 stainless steel mounting canister for casting into the ground or into concrete.

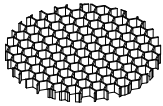
Maximum drive over speed 10 kp/h (6mp/h) with a maximum load rating of 2000kgs (4400lbs).

## Luminaire Weight:

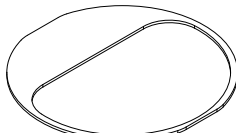
Stainless Steel 8kg (17lbs 10oz)

Solid Bronze 9kg (19lbs 13oz)

## ACCESSORIES



Hex Cell Louvre

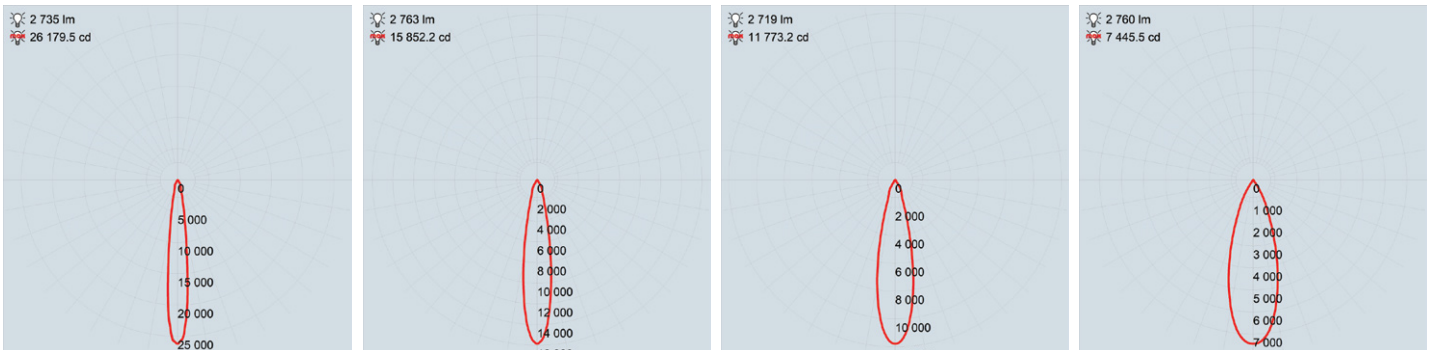


Glare Shield

## BEAM ANGLES

High efficiency Reflectors. Field replaceable

IES files available for download: [hunzalighting.com/downloads](http://hunzalighting.com/downloads)



13° FWHM REFLECTOR

20° FWHM REFLECTOR

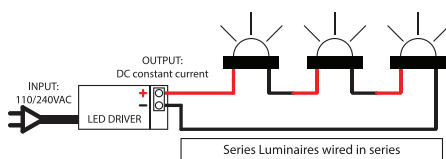
25° FWHM REFLECTOR

34° FWHM REFLECTOR

## WIRING GUIDE

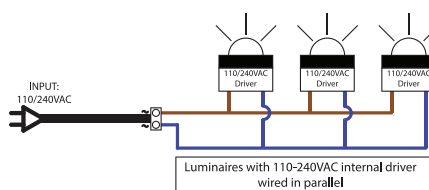
Available for download: [hunzalighting.com/downloads](http://hunzalighting.com/downloads)

### Series/remote driver



Diagrams are a guide only, wire colours and polarity may change depending on fixture and country

### 110/240v integral driver



### 24vdc integral driver

