

PROJECT:

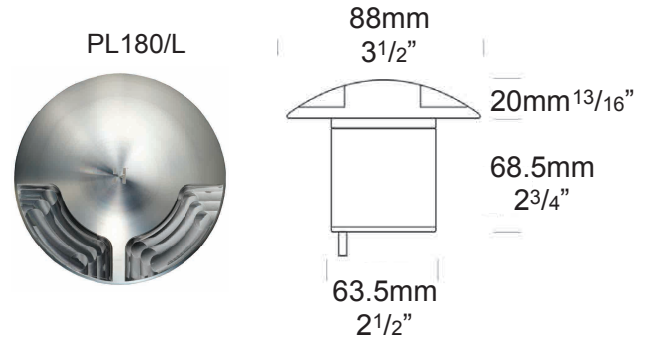
TYPE:

SOURCE:

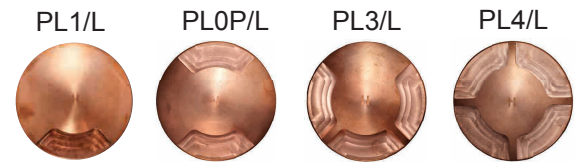
NOTES:

### PURELED SPECIFICATIONS

<b>LED Chip</b>	Cree XHP-50-2 Plug and Play field replaceable LED board
<b>Luminaire Output</b>	600 Lumens @ 1050mA (6 watts), 420 Lumens @ 700mA (4 watts), 240 Lumens @ 350mA (2 watts), delivered from luminaire with unobstructed beam.
<b>Lumens Per Watt</b>	100 Lumens @ 6 watts minimum, delivered from luminaire with unobstructed beam
<b>CRI (3000K)</b>	90+
<b>Colour Temperatures</b>	2700K, 3000K, 4000K
<b>Beam Angles</b>	90°, 90° x 90°, 180°, 270°, 360°
<b>Ingress Protection</b>	IP67



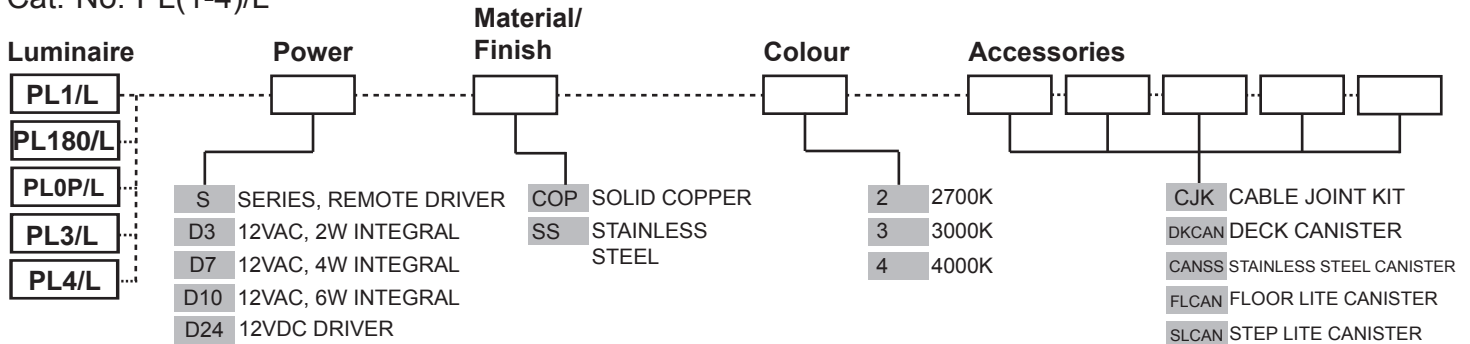
<b>Warranty</b>	Electronics = 5 years Body Cop/SS = 10 years
<b>Standards</b>	AS/NZS 61046 cUL 1838, 2108 CSA C22.2 No.250.7, No.250.0-08 CE



### PRODUCT CONFIGURATION

Please fill in appropriate codes into boxes provided

Cat. No. PL(1-4)/L



**SERIES, REMOTE DRIVER REQUIRED:**  
 Constant current driver  
 Individual fixtures require 6vdc @ 1050mA maximum

**12VAC INTEGRAL DRIVER:**  
 Hunza integrated plug and play driver (included)  
 Input: 9-15VAC.  
 Output: 6vdc @ D3=350mA, D7=700mA, D10=1050mA (1050mA limited to ≤ 40°C (104°F) ambient temperature in stainless steel)

**24VDC DRIVER:**  
 Input: 24vdc.  
 Output: 18vdc @ 700mA constant current (non dimming).  
*Note: not for USA*

**OTHER LAMP OPTIONS:**  
 PL(1-4)/H - MR16 Halogen 12V Lamp  
 PL(1-4)/SL - MR16 LED Retrofit 12V Lamp (lamps vary by market - please refer to supplier for details)  
 PL(1-4)/GUH - GU10 120/240V Halogen Lamp (body length increases for all GU10 lamps)  
 PL(1-4)/GUSL - GU10 LED Retrofit 120/240V Lamp (lamps vary by market - please refer to supplier for details)

[Click here for halogen specification sheet](#)

[Click here for 240v Remote Power Supply Guidance Charts](#)  
[Click here for USA Remote Power Supply Guidance Charts](#)

# LUMINAIRE CONSTRUCTION

CNC machined from one of the following

**metals:**

**Copper**

Body: 63.5mm (2<sup>1/2</sup>" x 9mm (3/8") copper tube.

End cap: solid copper 63.5mm (2<sup>1/2</sup>" rod.

Flange: solid copper 90mm (3<sup>1/2</sup>" rod.

**316 Stainless Steel**

Body: solid 316 stainless steel 63.5mm (2<sup>1/2</sup>" x 9mm (3/8").

End cap: solid 316 stainless steel 63.5 (2<sup>1/2</sup>" rod.

Flange: 316 stainless steel 90mm (3<sup>1/2</sup>" rod.

**Lens:**

TIR Borosilica glass lens.

Lifetime warranty.

**Gaskets:**

Silicone, iron impregnated 220°C (428°F)

**Mounting:**

The luminaire is pushed into the canister and is held by two silicone "O" rings. CANSS, SLCAN, FLCAN: cast into concrete, concrete block, brick, etc.

DKCAN: mounted into wooden decks, wooden frames, etc.

Two screw holes in the flange can be specified if canisters are not required.

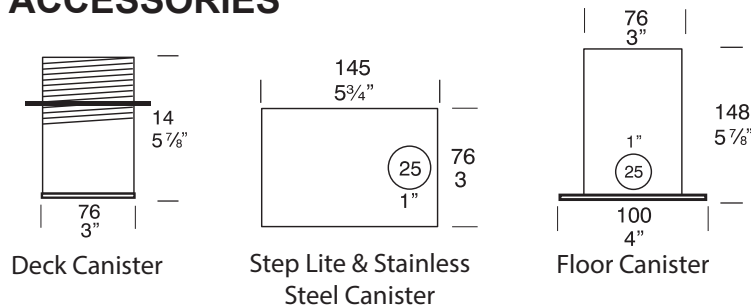
Maximum driver over weight is 1700 - 3500kg (3747lb 14oz - 7716lb 3oz)

Path Lite Static Load Rating (316 Stainless Steel)

Code	Description	Onset of plastic deformation (kN)	
PL1 SS	Single Facet	35	3500kg (7716lb)
PL180 SS	Two Facet 180°	26	2650kg(5842lb)
PL0P SS	Opposite Facets	20	2000kg(4409lb)
PL3 SS	Three Facet	19	1900kg(4189lb)
PL4 SS	Four Facet	17	1700kg(3748lb)

Note: 1 Kilonewton (kN) equals 101.972 Kilograms (KG's)

## ACCESSORIES



## BEAM ANGLES

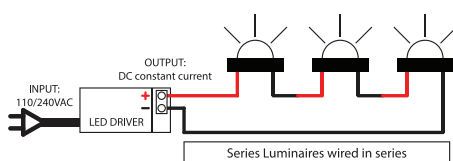
High efficiency PMMA TIR lenses. Field replaceable

IES files available for download: [hunzalighting.com/downloads](http://hunzalighting.com/downloads)

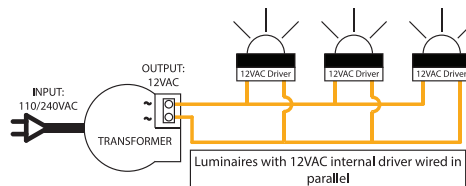
## WIRING GUIDE

Available for download: [hunzalighting.com/downloads](http://hunzalighting.com/downloads)

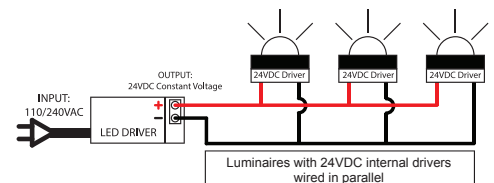
Series/remote driver



12v integral driver



24vdc integral driver



Diagrams are a guide only, wire colours and polarity may change depending on fixture and country

Specifications may change without notification

Aug 2017

**HUNZA**™ PURE OUTDOOR LIGHTING

**HUNZA FACTORY**

130 Felton Mathew Ave  
Saint Johns  
Auckland 1072  
New Zealand

Ph: +64-9-528 9471  
Fax: +64-9-528 9361  
hunza@hunza.co.nz  
www.hunzalighting.com

**INTERNATIONAL CONTACTS:**

<http://www.hunzalighting.com/contact.php>

This document contains proprietary information of Hunza. Its receipt or possession does not convey any rights to reproduce or disclose its content.