

ST100RGBW SAFE TOUCH

PROJECT:

TYPE:

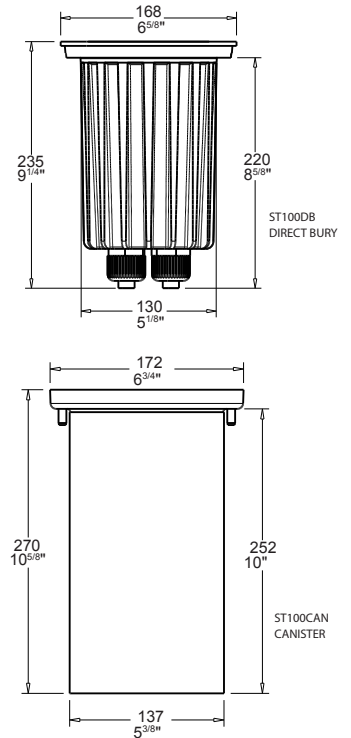
SOURCE:

NOTES:

SPECIFICATIONS

IK10 **IP68** **CE** **UL LISTED**

| | |
|----------------------------|---|
| LED Chip | LED ENGIN LZP RGBW field replaceable LED board |
| Luminaire Output | 1400 total Lumens @ 350mA (26 watts) All colours on, Delivered from Luminaire with unobstructed beam. |
| Lumens Per Watt | 54 Lumens minimum @ 26 watts, Delivered from Luminaire with unobstructed beam |
| CRI (6500K) | RGBW (White 75) |
| Colour Temperatures | RGBW (White CCT 6500) |
| Beam Angles | 13, 30, 40 |
| Ingress Protection | IP68 *not for use in pool or ponds |
| Warranty | Electronics = 5 years Body Aluminium = 5 years |
| Standards | cUL 2108 CE |



PRODUCT CONFIGURATION

Please fill in appropriate codes into boxes provided

Cat. No. ST100RGBW

Luminaire

ST100RGBWDB
ST100RGBWSC

Power

SR

Material/ Finish

SBZ SOLID BRONZE **13** 13°
SS STAINLESS STEEL **30** 30°
SSP POLISHED SS **40** 40°

Beam

Accessories

HCL/ST100 HEX CELL LOUVRE
GS100 GLARE SHIELD
LENSAR111F FROSTED LENS
LENST100CAS ANTI SLIP LENS
CJK CABLE JOINT KIT

SR SERIES REMOTE

SERIES REMOTE:

Constant current 4 channel
DMX / DALI driver (included)
Fixture require 20vdc per
channel @ 350mA maximum

ADDITIONAL COMMENTS:

LUMINAIRE CONSTRUCTION

CNC machined or cast from one of the following metals:

Body - Cast from virgin high corrosion resistant, low copper content (0.001%) aluminium alloy. Finished with chromate substrate, Epoxy layer and a UV resistant polyester powder coat colour.
Colour - Black.

Flanges - Machined from either
Solid Bronze 260mm x 6mm (10^{1/4}" x 1/4")
316 Stainless Steel 260mm x 6mm (10^{1/4}" x 1/4")

All fixings are made from 316 Stainless Steel

Step Lens:

12mm (1/2") Extra clear, low iron, shatter resistant glass. Anti Slip option available. Lifetime warranty

Gaskets:

Silicone, iron impregnated 220°C (428°F)

Cable:

Water resistant rubber

Adjustability:

The gimbal is fully adjustable, allowing 360° rotation and 0-20° elevation.

Mounting:

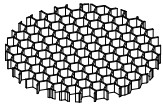
The ST100 is available with a 316 stainless steel mounting canister for casting into the ground or into concrete.

Maximum drive over speed 10 kp/h (6mp/h) with a maximum load rating of 2000kgs (4400lbs).

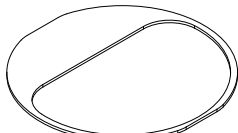
Luminaire Weight:

Stainless Steel 8kg (17lbs 10oz)
Solid Bronze 9kg (19lbs 13oz)

ACCESSORIES



Hex Cell Louvre

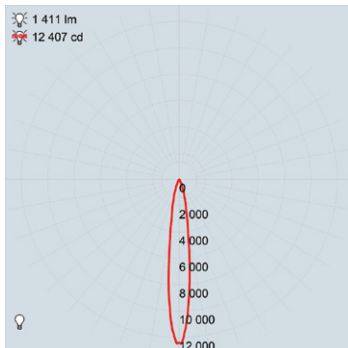


Glare Shield

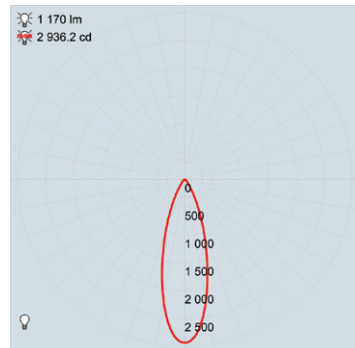
BEAM ANGLES

High efficiency Reflectors. Field replaceable

IES files available for download: hunzalighting.com/downloads



13° FWHM
TIR

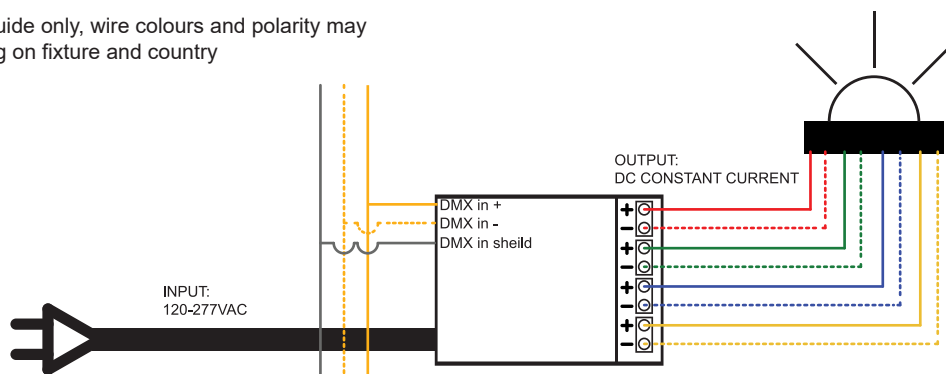


30° FWHM
TIR

WIRING GUIDE

Diagrams are a guide only, wire colours and polarity may change depending on fixture and country

Available for download: hunzalighting.com/downloads



Specifications may change without notification

Mar 2018